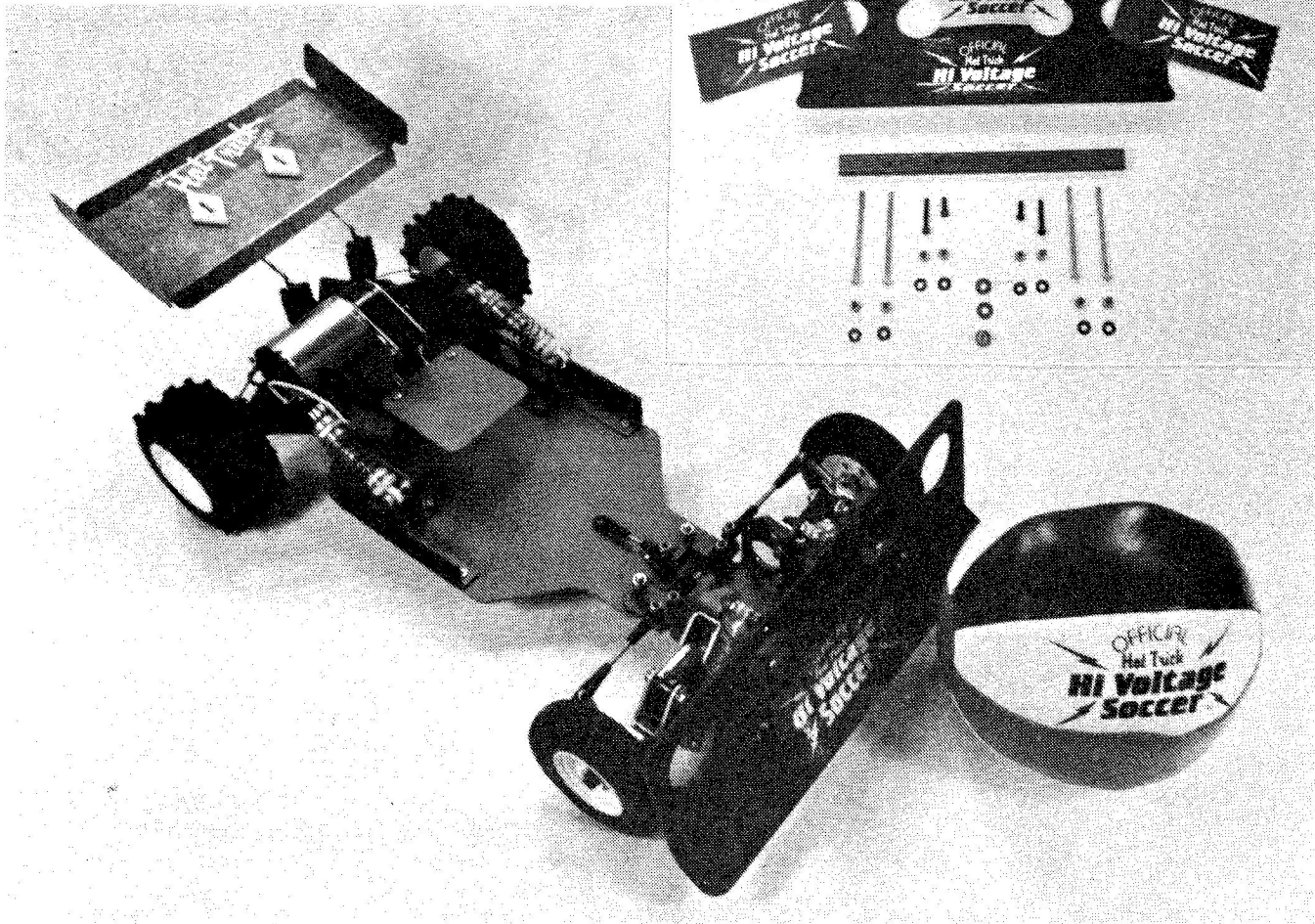




THE
Hot Trick
STUFF

HELP FOR
EVERYONE TO
LEARN OUR
PRODUCTS

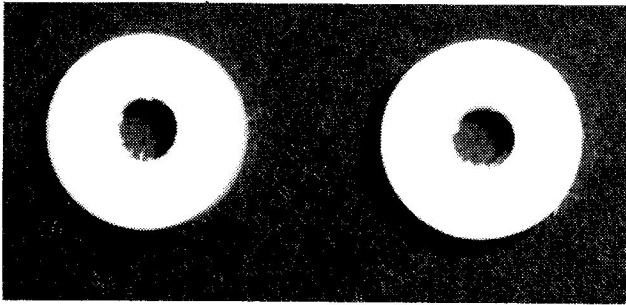
HobbyHeights.com



AT LAST A GAME FOR ALL AGES 6 TO 60. HOT TRICK'S HIGH VOLTAGE SOCCER.

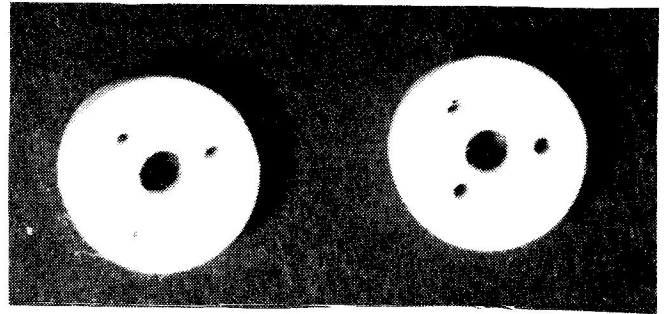
See your dealer for more information.

PART NUMBER 001A



RC-10 SHOCK ABSORBER PISTONS

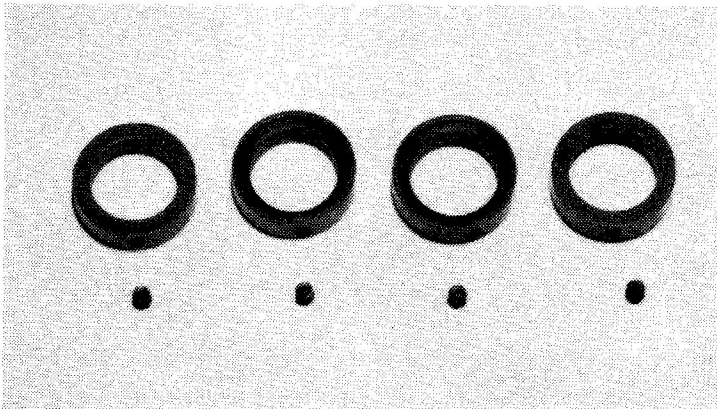
PART NUMBER 002K



KYOSHO SHOCK ABSORBER PISTONS

Did you know that motor oil is one of the worst things you can put into a shock absorber? Transmission fluid is a far better choice of liquids for shock absorbers.

RC-10 / KYOSHO SHOCK ABSORBER SLIMLINE RETAINERS \$13.95



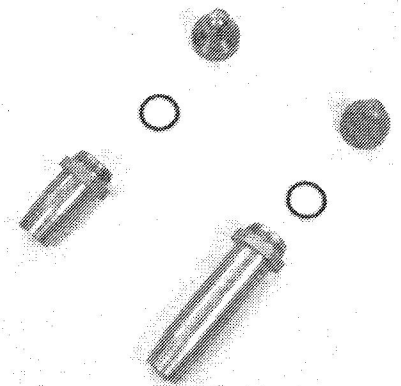
PART NUMBER 016A

Now this product is a must for those who want to go for concourse, plus the racer who is tired of the factory originals slipping up or the plastic threads stripping out.

PART NUMBER 096A

RC-10 TOP SHOCK SEALS \$2.95

Replace that leaky factory gasket with an O-Ring Seal. Just finger tight only, seals and stops leaking once and for all.

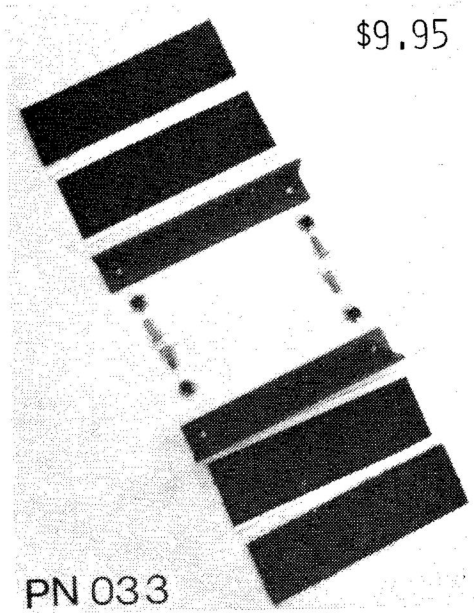


Q15 BLACK MAX PEAK DETECTOR BATTERY CHARGER (4 IN 1) \$39.95



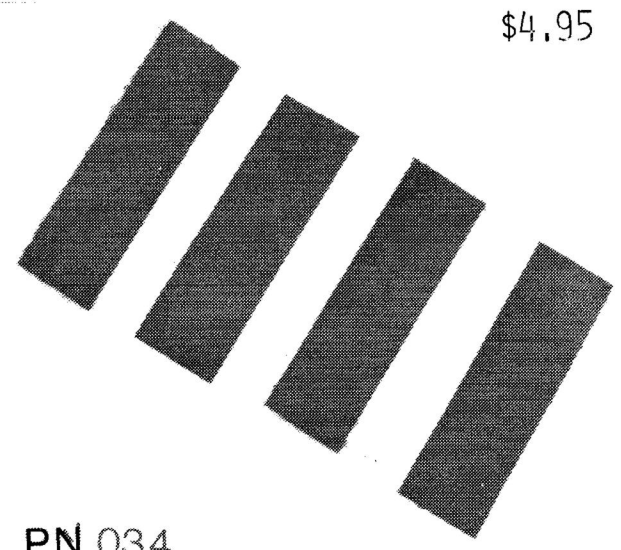
FULLY AUTOMATIC PEAK DETECTOR BATTERY CHARGER

The worst thing you can do is to overcharge a battery. The second worst thing you can do is to try and charge your batteries too fast. Again, too much heat. BLACK MAX will handle 5 to 10 cell packs and 1 to 4 packs at the same time. You can use an 11 to 15 volt source. You can leave your battery packs hooked up for days and not hurt them. By charging at a reasonable rate, you accomplish several things. First, all cells will balance themselves. Second, you can pack in approximately 15% more charge. This will increase the life of your batteries many times. If you hook the alligator clips backwards, the only thing that will happen is the blue light will not come on - that's all! If you wire the plugs to your battery packs backwards, it will cause damage to BLACK MAX, but not instantly. Just plug in your batteries the day before the race. When you get to the track, leave the charger hooked up. Just prior to each race, unplug one pack and know you have packed in all the punch your batteries can stand. If this sounds too simple, well just bear with us because it took us over one year to develop a charger that would be fail-safe and trouble free.



\$9.95

PN 033



\$4.95

PN 034

Hot Trick

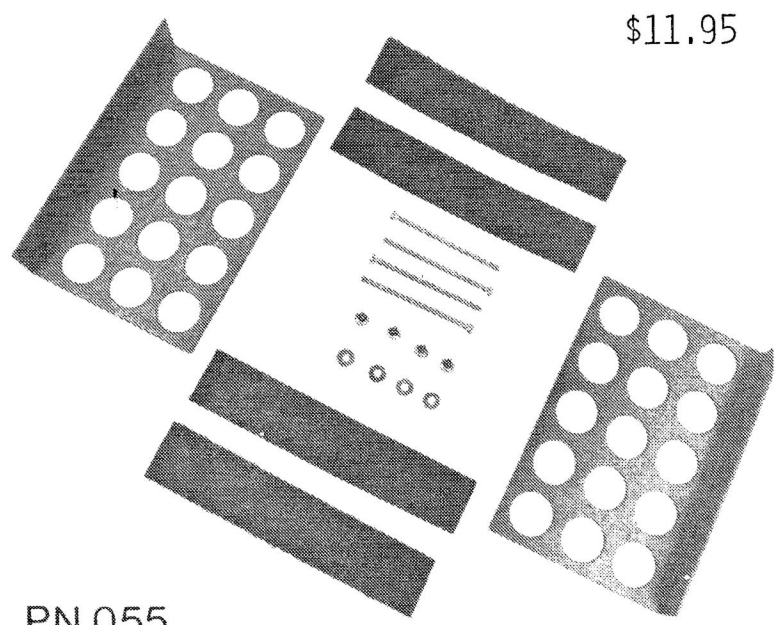
OFF-ROAD

OVAL

SPRINTS

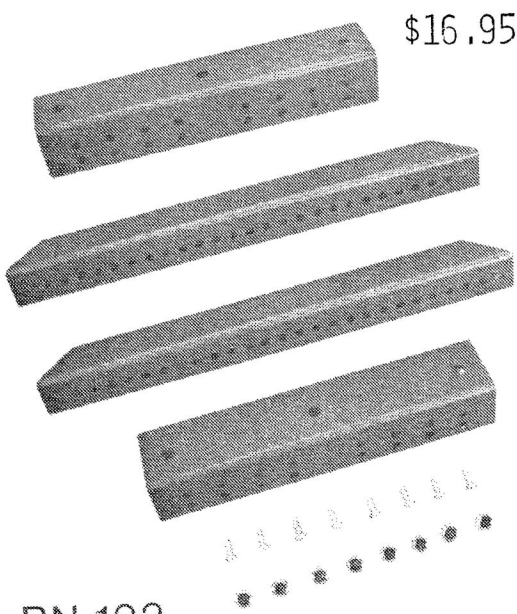
TRUCK & HEAVY METAL

Body Mounts



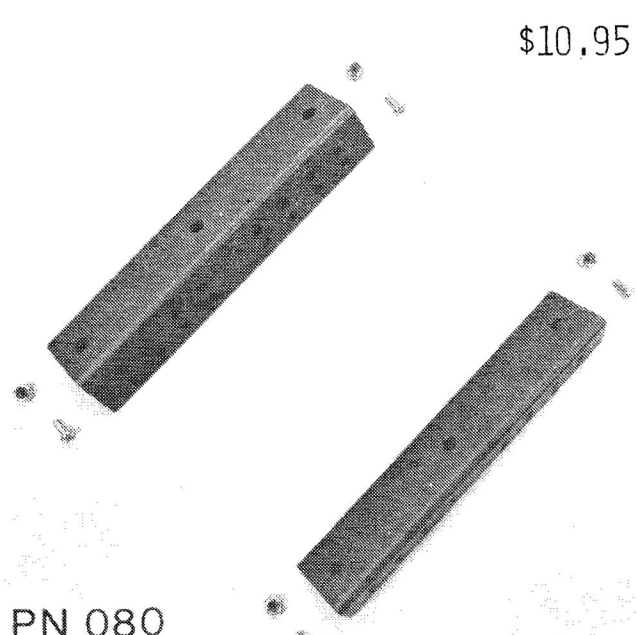
\$11.95

PN 055



\$16.95

PN 102



\$10.95

PN 080

P/N 107RU ULTIMA FRONT AXLES FOR
TAMIYA WHEELS

These front axles replace the stock units so you can use the larger, stronger Tamiya bearings and wheels. Gives you a greater selection of front tires. \$10.95

AXLES

P/N 012A RC-10/TAMIYA BEEF-UP
FRONT AXELS

As you know, the front bearings in a RC-10 are interchangeable with the 1/12 scale car. You will find that they are much too light duty for off-road use and do not last. \$8.95

axles

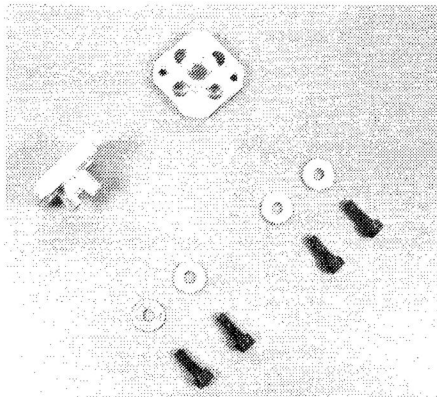
P/N 106RU ULTIMA REAR STUB AXLES
FOR RC-10 WHEELS

Now you can run RC-10 rear wheels and therefore have a wider selection of tires to choose from for your Ultima. \$9.95

AXLES

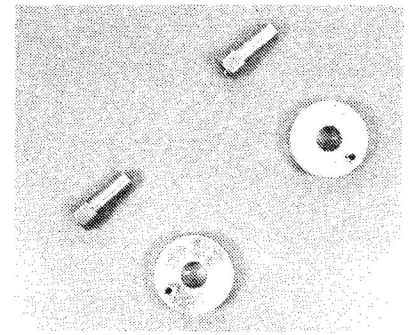
P/N 042RE RED FOX REAR DRIVE KIT

The stock Fox outdrives and half-shafts wear out immediately. Our drive kit uses RC-10 or Yokomo front dog bones (not included). They increase rear suspension travel and will last forever. \$19.95



P/N 039A RC-10/RED FOX/YOKOMO
REAR WHEEL ADAPTORS

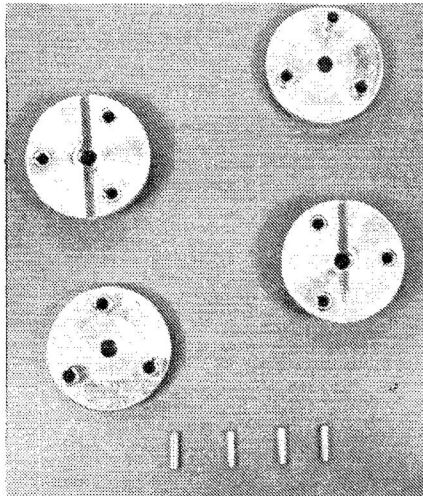
\$16.95



P/N 032A RC-10/HOLIDAY REAR
WHEEL ADAPTORS

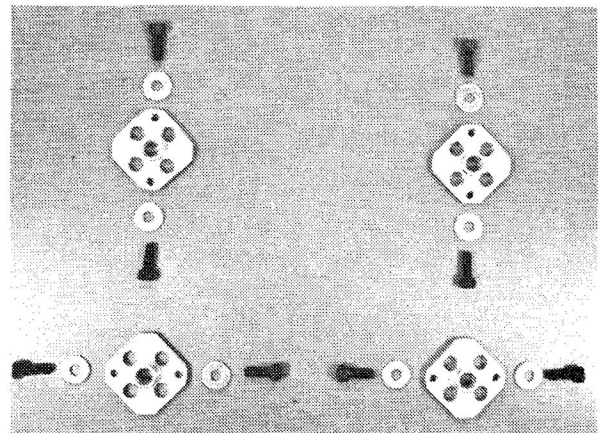
\$16.95

Wheel



P/N 053RHS HOT SHOT/BOOMERANG WHEEL
ADAPTORS (4)

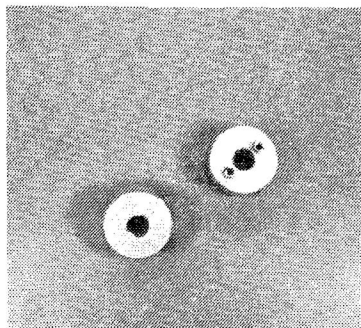
\$22.95



P/N 0720PR OPTIMA RAM/YOKOMO/
FOX WHEEL ADAPTORS

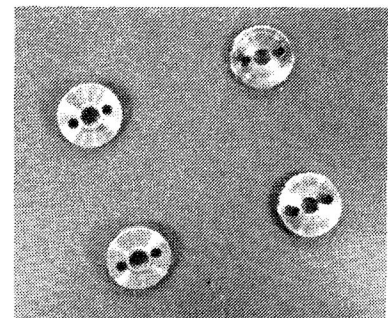
\$19.95

Adaptors



P/N 094FRP FROG/RED PRINCE/RC-10
WHEEL ADAPTORS

\$16.95

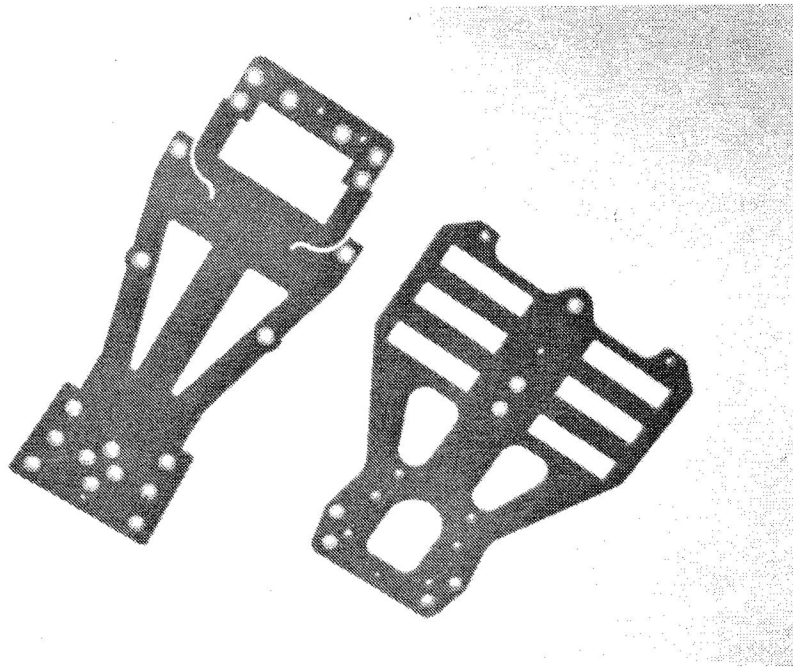


P/N 0710PR OPTIMA RAM/RC-10
WHEEL ADAPTORS

\$19.95

HOT TRICK RACING CARS, INC.

The American Answer to Off-Road Racing
1157 Cushman Ave., San Diego, CA 92110 (619) 295-2211



PART NUMBER 041A RC-12 TRIDIRCOMP™ PAN

\$15.95

PART NUMBER 052D DELTA TRIDIRCOMP™ PAN

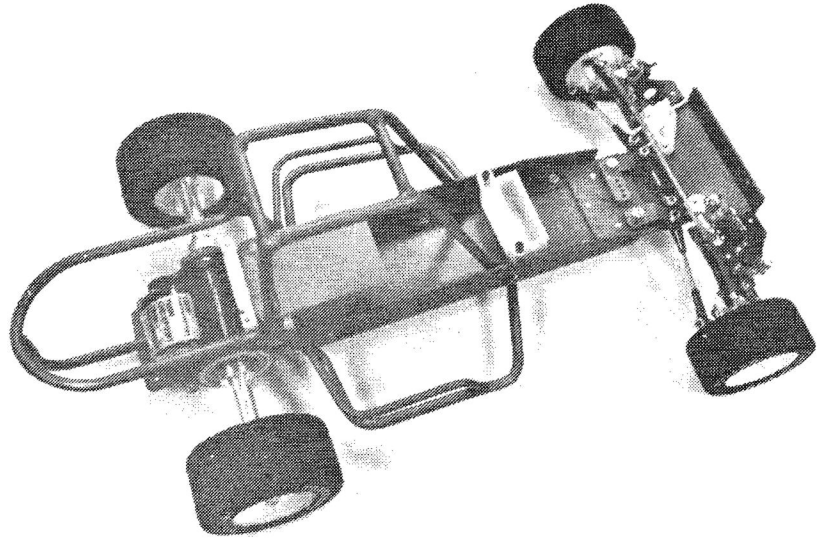
\$14.95

Not too stiff and not too flexible. Very shock absorbent. Just what the doctor ordered. All our friends out there that run 1/12 scale would never forgive us if we didn't give them a chance to try our new TriDirComp™ material. Each time we go to a 1/12 scale race, we see more and more red chassis.

PART NUMBER 056A

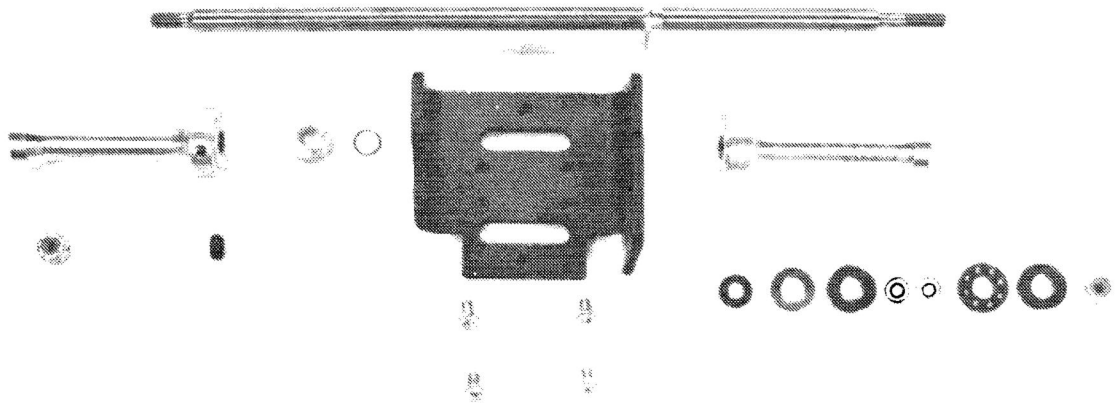
RC-10

ON ROAD REAR END KIT



THE INSTANT ON ROAD KIT

Race your off-road RC-10 on road! This conversion kit bolts to our TriDirComp™ chassis as well as the stock one. Adjustable rear tension for chassis tuning. Be ready for extreme speed \$59.95



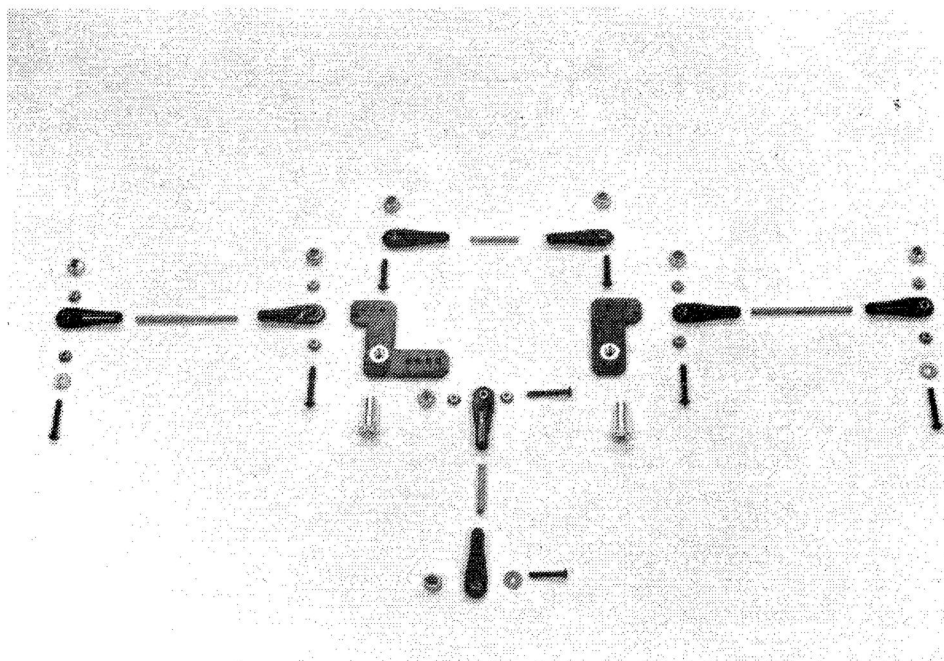
Hot Trick

On Road

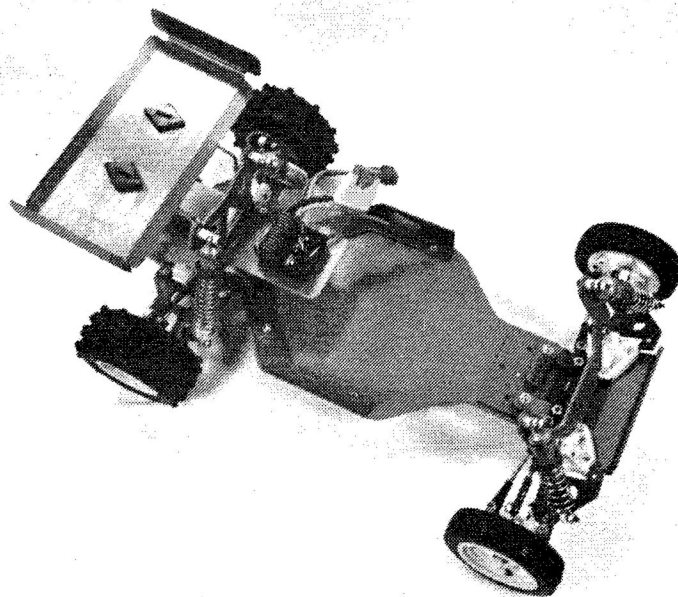
Kit

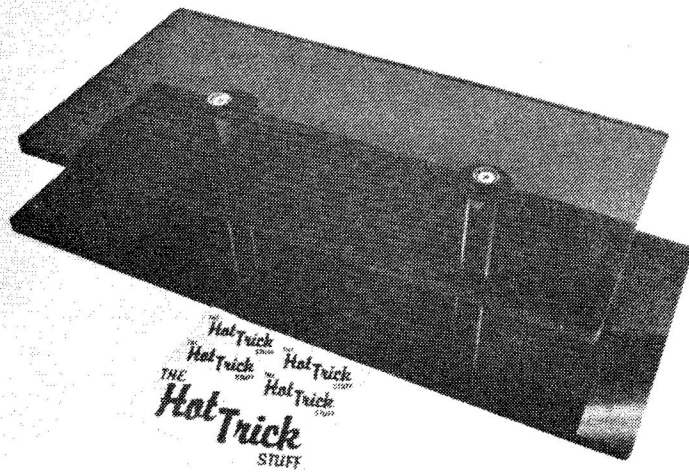
HOT TRICK RACING CARS, INC.
The American Answer to Off-Road Racing
1157 Cushman Ave., San Diego, CA 92110 (619) 295-2211

PART NUMBER 010 RC-10 STEERING LINKAGE KIT \$22.95



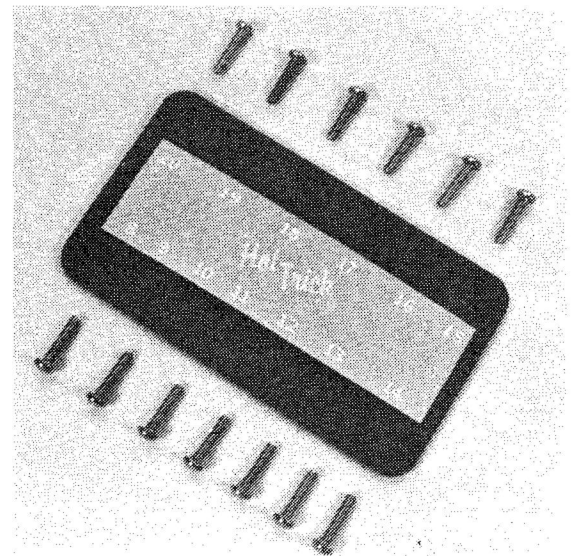
Whenever you get tired of sloppy steering and ends that keep falling off, just let us know and we can fix it once and for all.





P/N 104 CAR STAND

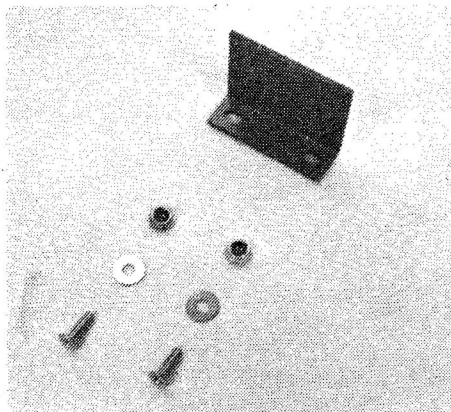
\$12.95



P/N 101 GEAR CADDY

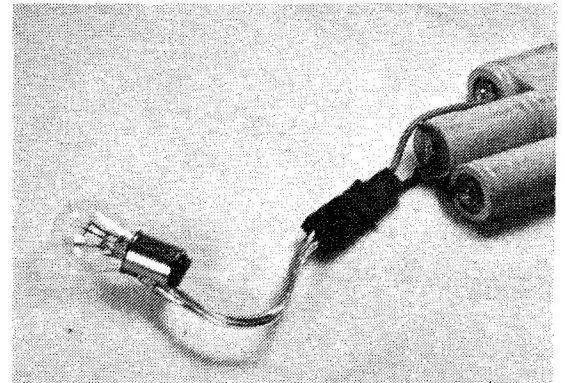
\$ 4.95

Something



P/N 076 UNIVERSAL VERTICAL
SERVO/RECEIVER MOUNT

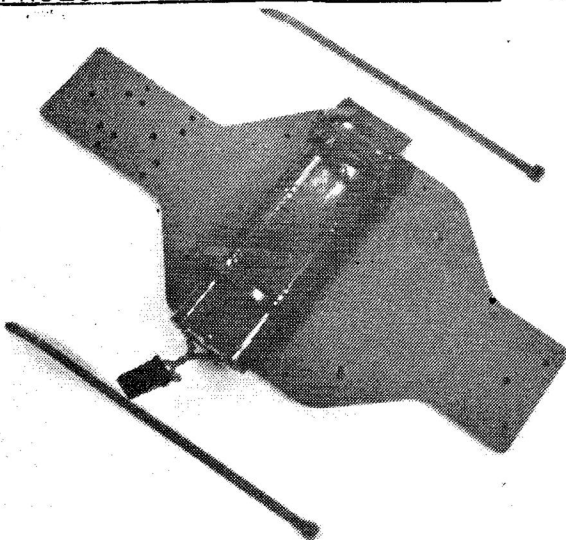
\$ 5.95



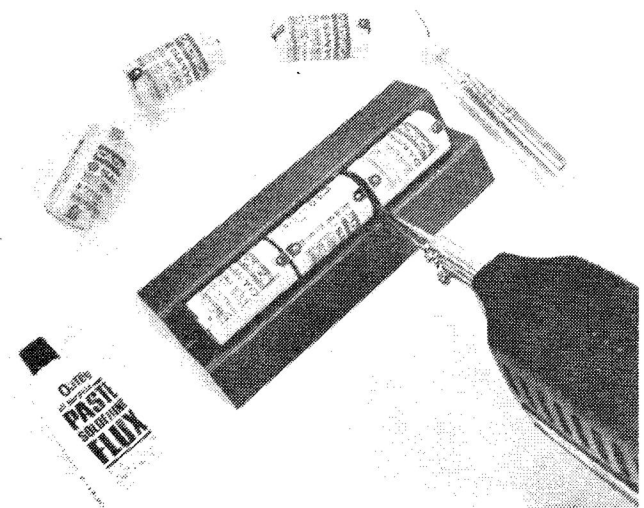
P/N 103 BATTERY DISCHARGE LIGHT
LIGHT \$3.95

Hot

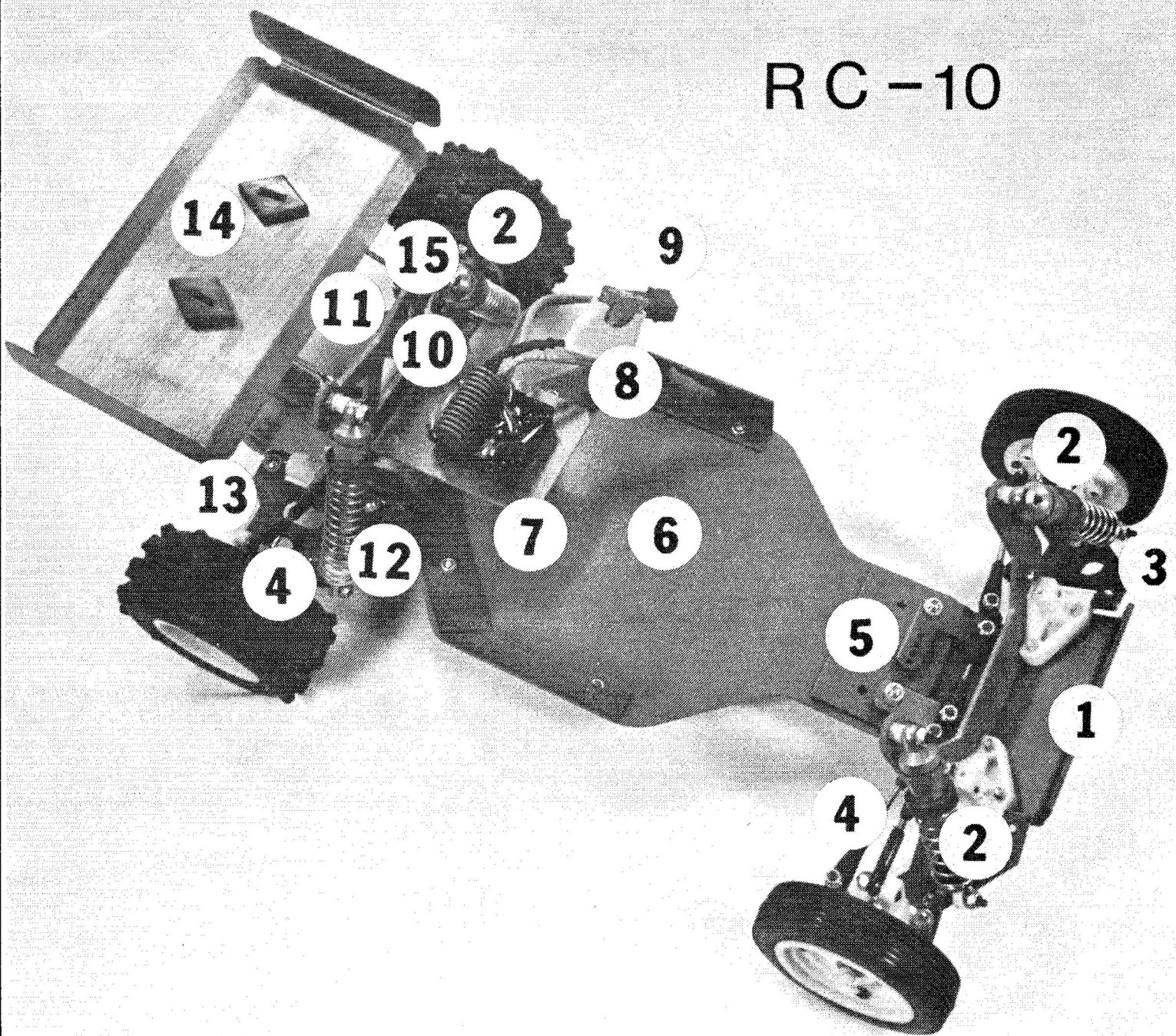
P/N018 REUSEABLE TIE WRAPS \$2.95



P/N 105 BATTERY SOLDERING
JIG \$ 3.95



RC-10



1. 026A RC-10 WIDE FOOT FRONT END KIT

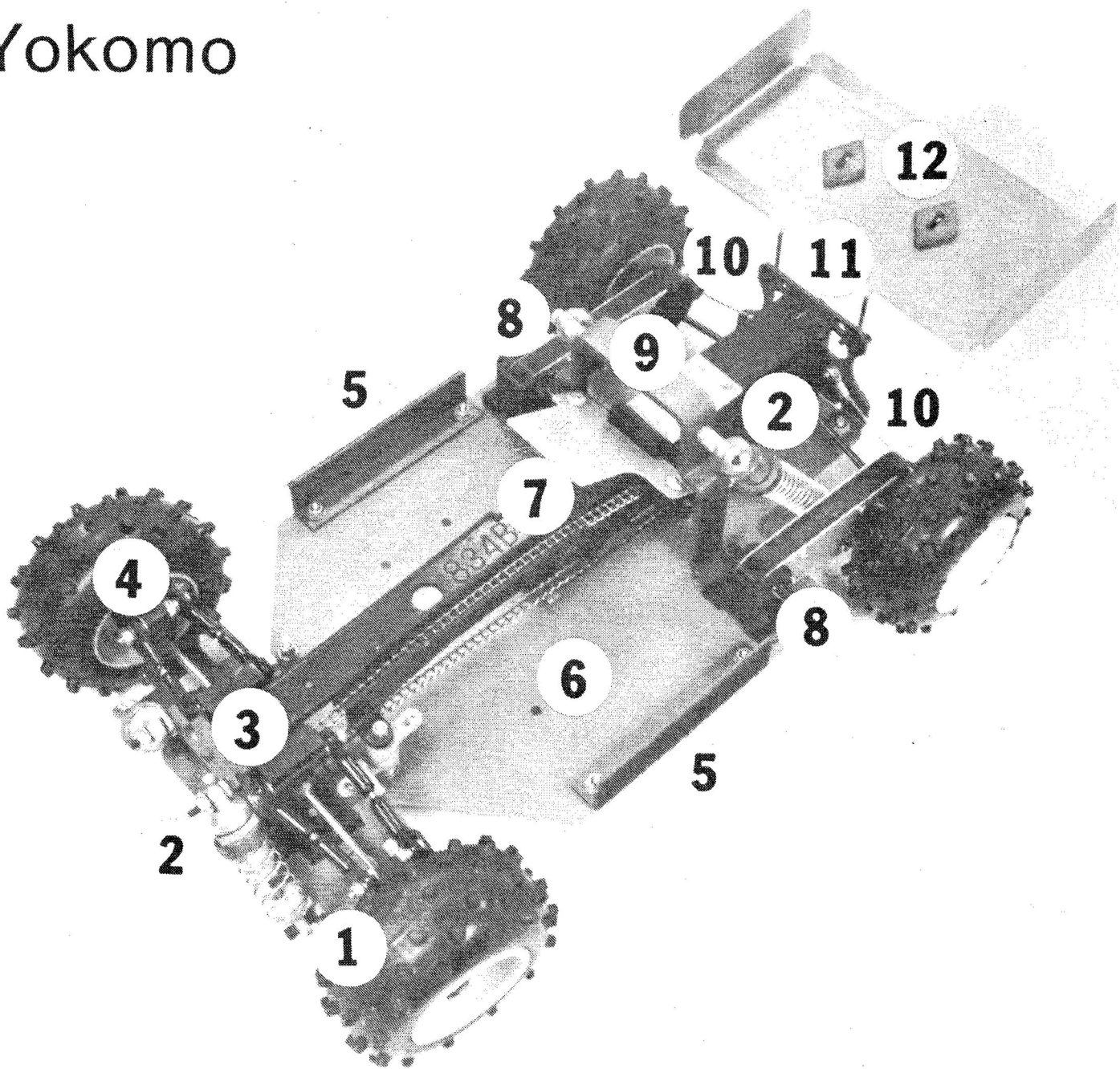
Completely stop that hateful highspeed understeer, particularly in oval racing. Multiple upper shock mounting positions allow the use of several lengths of shocks. \$19.95

2. 016A RC-10/KYOSHO SHOCK ABSORBER SLIMLINE RETAINERS

Now this product is a must for those who want to go for concourse, plus the racer who is tired of the factory originals slipping up or the plastic threads stripping

3. 073A RC-10 FRONT LOWER "A" ARM KIT
Just two more parts to help bullet-proof your RC-10. If you have to wait until you break one, it may cost you a race. \$21.95
4. 025A RC-10 BEEF-UP SUSPENSION KIT
This kit replaces your stock ball cup upper links with more reliable hime joints. Ours won't pop off no matter how hard a shot you take! \$14.95
5. 010 UNIVERSAL STEERING LINKAGE
Fits all RC-10, Red Fox, Red Hot Shot, Red Prince, and Red Ultima. Our steering linkage fits most of our chassis. It uses hime joints that can't pop off and eliminates sloppy steering. Be sure to use a Kimbrough servo-saver directly on your servo! Eliminates bump steering (nuff said). \$22.95
6. 030A (UL/SD) RC-10 TRIDIRCOMP™ CHASSIS KIT
Aluminum and graphite are the cause of many of your radio glitches. Want to eliminate ugly body mounting holes and pins? Want a material stronger and lighter than G-10 fiberglass? Try TriDirComp™! The winners use it. \$31.95 (UL) \$34.95 (SD)
7. 092A SPRINT CAR SPEED CONTROL/RECEIVER TRAY KIT
Although this platform was designed for the sprint car, it can also be used in the stock RC-10 as a way to get the receiver away from the metal pan. \$6.95
8. 024 "QUICKEE" FUSE HOLDER AND FUSE
The answer to blown fuses at the starting line. Be back racing immediately by just unplugging the old fuse and slipping in the new. No more time consuming soldering. \$3.95
9. 097A THE GOLD CONNECTION
Here is the connector that everyone has been waiting for! 24 karat gold plated connectors that won't come apart and can't be reversed. The next best thing to a good solder joint. \$5.95
10. 054 FEATHER-WEIGHT HEAT SINKS
Remember heat resistance. An absolute must if you use an electronic speed control. Aside from protecting your speed control, they get rid of heat (lower resistance) and so you go faster! \$11.95
11. 058A RC-10 REAR TRIDIRCOMP™ SHOCK MOUNT
Lighter and stronger than fiberglass, this TriDirComp™ mount is pre-drilled with improved mounting locations for the shocks. \$5.95
12. 070 SHOCK ABSORBER MOUNTING ANGLES
So many times there is a need to relocate the position of the shock absorbers. Now, with something so simple as a specially designed angle, it can be done. \$8.95
13. 074A RC-10 REAR LOWER "A" ARM KIT
A little more travel in the rear suspension systems seems to help a lot. Like the front ones, they are made of 7075 T-6 aluminum and that is really tough stuff. \$21.95
14. 100 TITANIUM WING
The last wing you will ever have to buy! Made of nearly indestructible titanium. Includes mounting hardware. \$29.95
15. 014A RC-10 "A TOUCH OF CLASS"
Here is a product for both the beginner and the advanced racer. First, it keeps the motor plug out of the left shock springs; second, it is a drill jig for relocating the upper shock mounting hole to the proper place for a superior suspension system. \$1.95

Yokomo



1. 003Y YOKOMO LOWER "A" ARMS

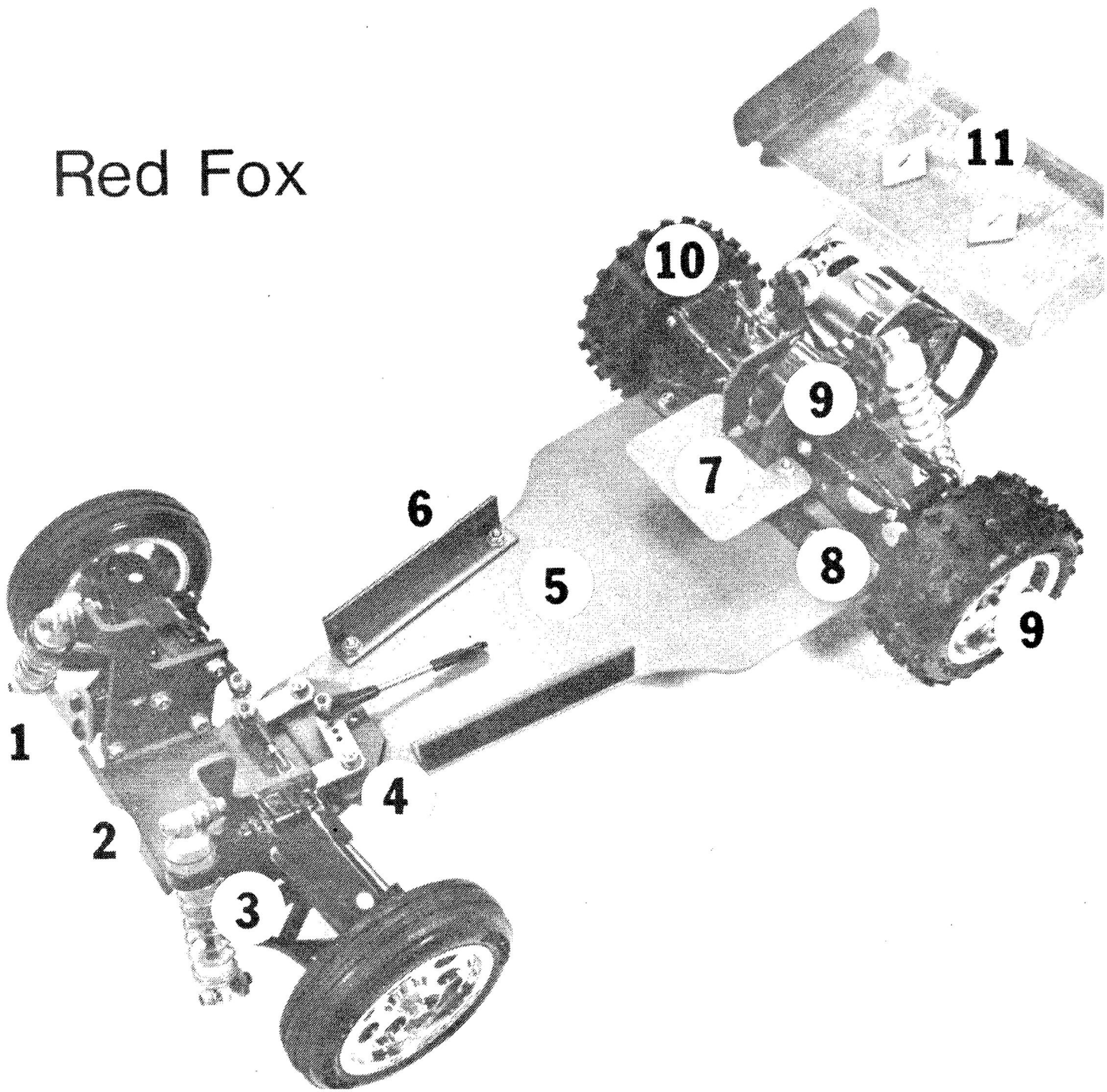
The first part to break on your Yokomo was probably a front lower "A" arm. Our aluminum replacements make that problem a thing of the past. \$22.95

2. 016A RC-10 / KYOSHO SHOCK ABSORBER SLIMLINE RETAINERS

Now this product is a must for those who want to go for concourse, plus the racer who is tired of the factory originals slipping up or the plastic threads stripping out. \$13.95

3. 007Y DUAL FRONT SHOCK MOUNT
Two shocks are simply far superior than one. Monoshocks have a dead band in the center. Designed for RC-10 short front shocks (not included). Real off roaders never use just one shock. \$10.95
4. 098Y YOKOMO ADJUSTABLE FRONT "A" ARM KIT
We thought that we had just about covered all the weak or faulty parts that the Yokomo needed, but here is one more that really improved the performance of this car. \$10.95
5. 033 UNIVERSAL BODY MOUNTING KIT (VELCRO)
At last, no more body pins and ugly holes in bodies. Good for concourse, too. Pre-drilled to fit all of our kits. \$9.95
6. 031Y YOKOMO TRIDIRCOMP™ CHASSIS PAN
The real secret to making a Yokomo go fast is to eliminate the hole for the transmission case. In order to keep the case from moving with each bump and thereby putting a bind on all the transmission bearings and shafts. We did. \$22.95 (UL) \$24.95 (SD)
7. 029Y YOKOMO SPEED CONTROL AND RECEIVER MOUNTING PLATES
This kit allows you to remove just two screws each time you want to open your transmission case. This eliminates the need for messy servo tape. \$4.95
8. 027Y YOKOMO REAR SWING ARM PLATES
Our plates make your swing arms completely rigid, and therefore getting rid of rear wheel lean in high speed turns. \$10.95
9. 004Y YOKOMO ULTRA TOUGH ROLL BAR
70-75 T6 aluminum gives you the strongest roll bar you can buy. Also the design gives you more bodies from which to choose. \$11.95
10. 008Y YOKOMO FLEXIBLE REAR SUSPENSION RETAINERS
No more losing races because of cheap tie wrap retainers that break \$5.95
11. 005Y YOKOMO REAR BRACKET/WING MOUNTING KIT
Now you have a more reliable, and adjustable wing mount along with a bullet proof rear bracket. \$10.95
12. 100 TITANIUM WING
Made of Space-Age material. The last wing you'll ever buy. \$29.95

Red Fox



1. 040RF RED FOX DUAL SHOCK MOUNTS

For use with P/N 036RF, our dual shock mounts are designed for RC-10 short rear shocks. Two shocks are always better than one. \$4.95

2. 036RF RED FOX FRONT END KIT

This bracket mounts to the front end of P/N 035RF chassis (requires P/N 010). It gives you your upper shock mount locations for RC-10 shocks, when used in conjunction with P/N 040 (Red Fox Dual Front Shock Mounts). \$4.95

3. 016A RC-10 / KYOSHO SHOCK ABSORBER SLIMLINE RETAINERS
Now this product is a must for those who want to go for
concourse, plus the racer who is tired of the factory
originals slipping up or the plastic threads stripping
out. \$13.95

4. 010 UNIVERSAL STEERING LINKAGE KIT
Whenever you get tired of sloppy steering and ends that
keep falling off. Just let us know and we can fix it
once and for all. (Fits RC-10, Red Fox, Red Hot Shot, Red
Prince, and Red Ultima). \$22.95

5. 035RF RED FOX TRIDIRCOMP™ CHASSIS KIT
Pre-drilled and ready to just bolt up to a stock Fox rear
end. All components can be moved where you want them.
Permits you to use the RC-10 or other front ends. Really
a Pro racing approach to the Fox car. It's worth the money
to get rid of that plastic box. (UL) \$30.95 (SD) \$34.95

6. 033 UNIVERSAL BODY MOUNTING KIT (VELCRO)
At last, no more body pins and ugly holes in the bodies.
A far superior way to mount most bodies. Concourse, here
you come. \$9.95

7. 037RF RED FOX SPEED CONTROL/RADIO TRAY
For use with P/N 035RF chassis, this tray bolts to the
tranny/shock mounts so now you have a spot for your speed
control for improved cooling or for your receiver. \$3.95

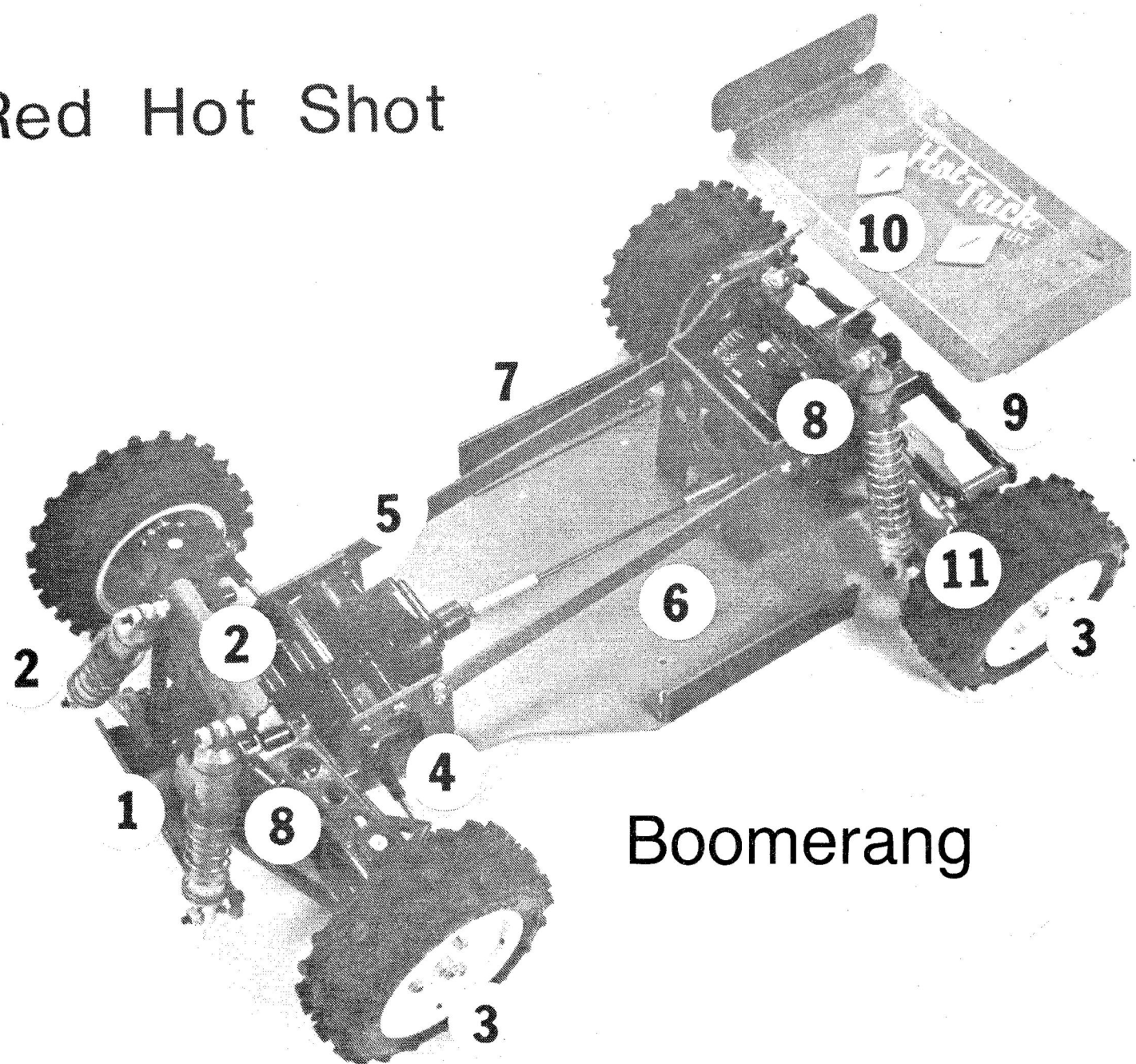
8. 047RF RED FOX REAR LOWER "A" ARMS
These Red Fox lower "A" arms are made from aluminum. They
also include shock mounts so you can get a better throw-
suspension. \$19.95

9. 042RF RED FOX REAR DRIVE KIT
The stock Fox outdrives and half-shafts wear out immediately.
Our drive kit uses RC-10 or Yokomo front dog bones (not
included). They increase rear suspension travel and will
last forever. \$19.95

10. 043RF/RHS FOX/HOT SHOT DUAL ADJUSTABLE UPPER REAR "A" ARMS
Now you can adjust the camber angle on the rear wheels of
your Fox or Hot Shot. With proper adjustment, high speed
turns will improve dramatically. \$10.95

11. 100 TITANIUM WING
Made of Space-Age material. The last wing you'll ever
buy. \$29.95

Red Hot Shot



Boomerang

1. 046RHS RED HOT FRONT END KIT

This bracket allows you to mount your Hot Shot front tranny to our 050 RHS chassis. Requires P/N 010. \$16.95

2. 068RHS RED HOT SHOT DUAL FRONT SHOCK MOUNTS

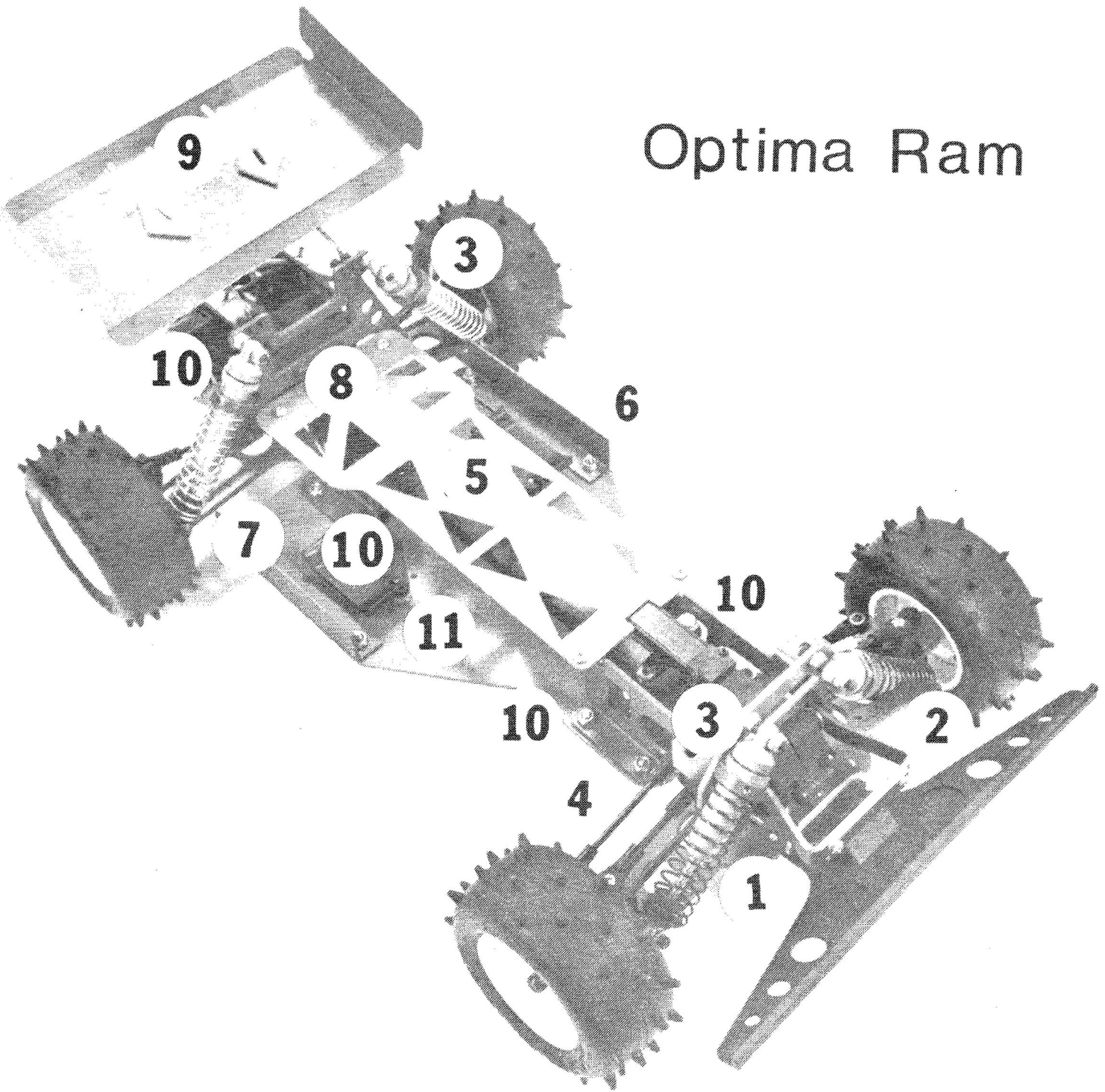
To be used with P/N 046. Like all other cars, two shocks greatly improve the handling of this car. \$16.95

3. 053RHS RED HOT SHOT WHEEL ADAPTORS

By throwing away your stock plastic adaptors and using our aluminum replacements, you eliminate wheel wobble. They also allow you to run Hot Shot wheels on your Fox.

4. 010 UNIVERSAL STEERING LINKAGE KIT
Whenever you get tired of sloppy steering and ends that keep falling off. Just let us know and we can fix it once and for all. (Fits RC-10, Red Fox, Red Hot Shot, Red Prince, and Red Ultima). \$22.95
5. 059RHS RED HOT SHOT SIDE RAIL STIFFENERS
These aluminum stiffeners bolt to our Red Hot Shot front and rear brackets. They really strengthen your Hot Shot. Requires P/N 046RHS, 010, and 050RHS. \$7.95
6. 050RHS (UL / SD) RED HOT SHOT TRIDIRCOMP™ CHASSIS KIT
Like all our TriDirComp™ pans, the SD (Super Duty) is for the driver who wants to lower the center of gravity and smooth out his driving. The UL (Ultra Light) is for the driver who wants to let it all hang out. NOTE: The rear shock towers are designed to use Associated short rear shocks. \$34.95 - UL & \$36.95 - SD
7. 033 UNIVERSAL BODY MOUNTING KIT (VELCRO)
At last, no more body pins and ugly holes in the bodies. A far superior way to mount most bodies. Concourse, here you come. \$9.95
8. 016A RC-10/KYOSHO SHOCK ABSORBER SLIMLINE RETAINERS
Now this product is a must for those who want to go for concourse, plus the racer who is tired of the factory originals slipping up or the plastic threads stripping out. \$13.95
9. 043RF/RHS FOX/HOT SHOT DUAL ADJUSTABLE UPPER REAR "A" ARMS
Now you can adjust the camber angle on the rear wheels of your Fox or Hot Shot. With proper adjustment, high speed turns will improve dramatically. \$10.95
10. 100 TITANIUM WING
Made of Space-Age material. The last wing you'll ever buy. \$29.95
11. 057RHS RED HOT SHOT REAR LOWER "A" ARMS
These bulletproof "A" arms are made of 70-75 T6 aluminum. They will not break. \$19.95

Optima Ram



1. 0440PR OPTIMA RAM FRONT LOWER "A" ARMS

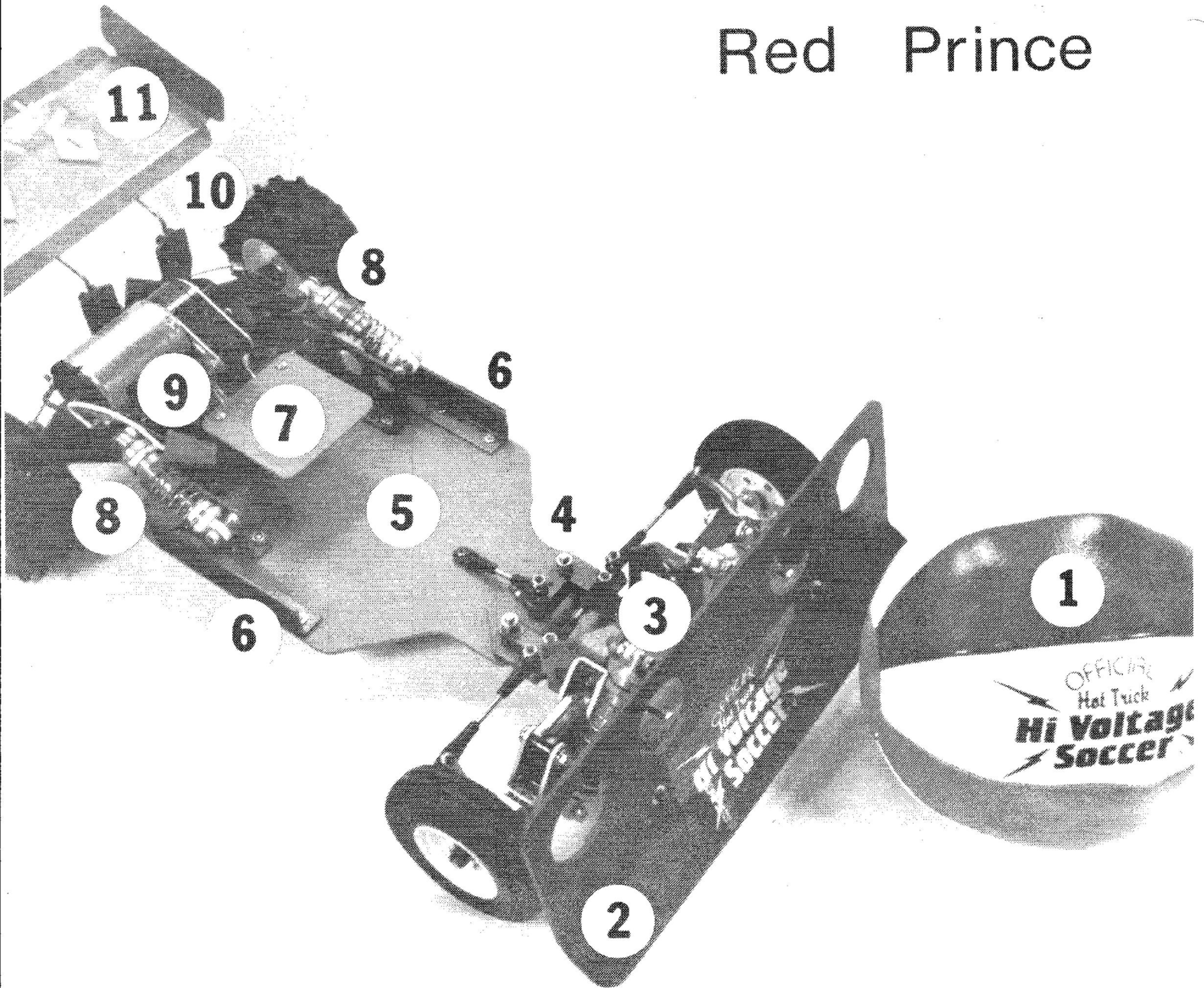
The stock plastic Optima "A" arms seem to break. Our aluminum replacements will not. Multiple shock mount locations. \$19.95

2. 0490PR OPTIMA RAM FRONT BEEF-UP BRACE

Our aluminum brace replaces the stock plastic one that always breaks. Ours will be the last one you buy. \$5.95

3. 016A RC-10/KYOSHO SHOCK ABSORBER SLIMLINE RETAINERS
 Now this product is a must for those who want to go for
 concourse, plus the racer who is tired of the factory
 originals slipping up or the plastic threads stripping
 out. \$13.95
4. 0890PR OPTIMA RAM STEERING LINKAGE KIT
 You only have to lose a couple of races before you are
 ready for this kit. Heavy duty hime joints that can't
 pop off. \$9.95
5. 0610PR (UL/SD) OPTIMA RAM TRIDIRCOMP™ UPPER CHASSIS
 This TriDirComp™ upper chassis bolts to our version of
 the Optima. It provides almost twice the area for
 mounting radio components, and provides stiffness to the
 entire chassis. \$10.95 (UL) \$11.95 (SD)
6. 033 UNIVERSAL BODY MOUNTING KIT (VELCRO)
 At last, no more body pins and ugly holes in the bodies.
 A far superior way to mount most bodies. Concourse,
 here you come. \$9.95
7. 0450PR OPTIMA REAR LOWER "A" ARMS
 The stock plastic Optima "A" arms seem to break. Our
 aluminum replacements will not. Multiple shock mount
 locations. \$19.95
8. 0690PR OPTIMA RAM REAR SHOCK MOUNT
 Can be used on the stock or the new Ram car. Has a
 better shock angle as well as multiple locations to
 improve the geometry of the rear upper "A" arms. Don't
 forget to use the incorporated wing mount. \$11.95
9. 100 TITANIUM WING
 Made of Space-Age material. The last wing you'll ever
 buy. \$29.95
10. 0510PR OPTIMA RAM TRANSMISSION, SHOCK, AND WING MOUNT
 Our mounts provide multiple upper "A" arm mounting
 points, improved shock mounting, increased strength, a
 wing mount, and motor protection. Requires P/N 0600PR
 and 0610PR. \$39.95
11. 0600PR (UL/SD) OPTIMA RAM TRIDIRCOMP™ CHASSIS KIT
 Using our chassis does several things for your Optima.
 Tweak problems are eliminated, aerodynamics is improved,
 RC-10 style bodies can be used, and the inside stays
 much cleaner. Requires P/N 0510PR and P/N 0610PR.
 \$22.95 (UL) \$25.95 (SD)

Red Prince



1. Q79 OFFICIAL HIGH VOLTAGE SOCCER BALL™

This ball was designed and developed for the sole purpose of playing High Voltage Soccer. You will find it is quite different from anything on today's market. \$17.95

2. Q77 OFFICIAL HIGH VOLTAGE SOCCER BUMPER KIT™

Here is a universal bumper kit that is designed to fit almost all cars and allows them to play High Voltage Soccer. Although it requires some drilling, it is extremely easy to install. \$15.95

3. 064FRP FROG/RED PRINCE RC-10 FRONT END
 Now you have a way to put our front end on a RC-10 front end on the P/N 063 chassis pan. What a difference in performance. 18.95

4. 010 UNIVERSAL STEERING LINKAGE
 Fits all RC-10, Red Fox, Red Hot Shot, Red Prince, and Red Ultima. Our steering linkage fits most of our own chassis. It uses hime joints that can't pop off and eliminates sloppy steering. Be sure to use a Kimbrough servo saver directly on your servo! Eliminates bump steering (nuff said). \$22.95

5. 063FRP (UL/SD) FROG/RED PRINCE TRIDIRCOMP™ CHASSIS KIT
 Turn your ugly Frog into a handsome prince. Another example of where we changed a fun toy into a competitive racing machine. \$28.95 (UL) \$32.95 (SD)

6. 033 UNIVERSAL BODY MOUNTING KIT (VELCRO)
 At last, no more body pins and ugly holes in the bodies. A far superior way to mount most bodies. Concourse, here you come. \$9.95

7. 066FRP FROG/RED PRINCE SPEED CONTROL/RADIO TRAY
 A truly neat way to mount your radio receiver or the speed control in the Red Prince/Black Foot. \$3.95

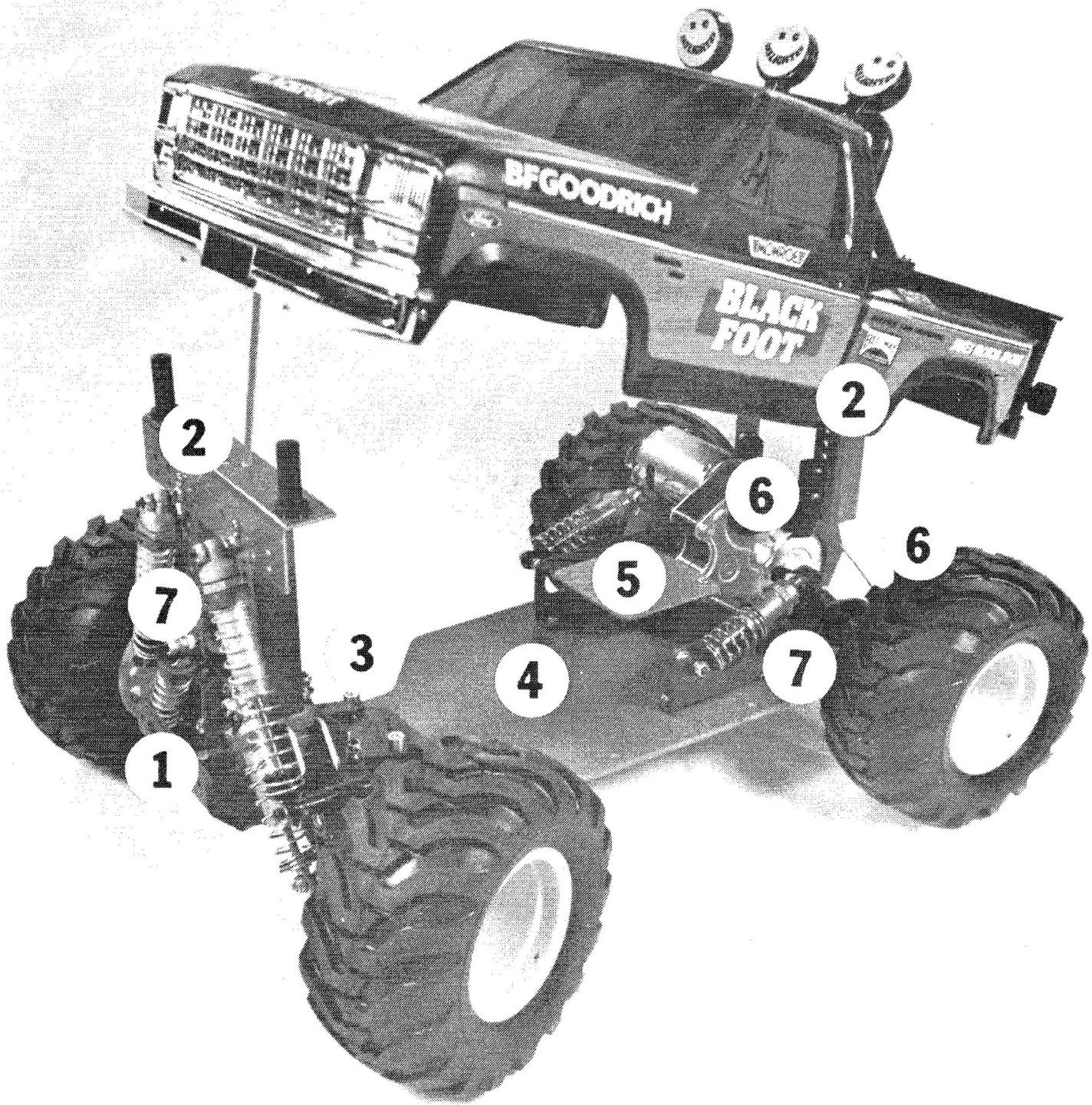
8. 016 RC-10 / KYOSHO SLIMLINE RETAINERS
 A must for concourse, plus for the racer who is tired of the factory originals slipping or stripping out. They fit RC-10, Kyosho, Option House, and Delta Shocks. \$13.95

9. 097A THE GOLD CONNECTION
 Here is the connector that everyone has been waiting for! 24 karat gold plated connectors that won't come apart and can't be reversed. The next best thing to a good solder joint. \$5.95

10. 093FRP FROG/RED PRINCE/RC-10 REAR WING MOUNTING BRACKET
 At last, a really good way to mount a wing on your Frog. How sweet it is to be able to make those big jumps and come down on your wheels. \$14.95

11. 100 TITANIUM WING
 Made of Space-Age material. The last wing you'll ever buy. \$29.95

HOT TRICK RACING CARS, INC.
The American Answer to Off-Road Racing
1157 Cushman Ave., San Diego, CA 92110 (619) 295-2211



Hot Trick's

Black Foot

BLACK FOOT

1. 064FRP FROG/RED PRINCE RC-10 FRONT END

Now you have a way to put our front end on a RC-10 front end on the P/N 063 chassis pan. What a difference in performance. \$18.95

2. 102 STAND OFF BODY MOUNT FOR TRUCKS

Use these mounts to mount truck bodies on your Hot Trick Frog/Red Prince, Black Foot, RC-10, Yokomo. \$16.95

3. Q10 UNIVERSAL STEERING LINKAGE

Fits all RC-10, Red Fox, Red Hot Shot, Red Prince, and Red Ultima. Our steering linkage fits most of our own chassis. It uses hime joints that can't pop off and eliminates sloppy steering. Be sure to use a Kimbrough servo saver directly on your servo! Eliminates bump steering (nuff said).

4. 063FRP (UL/SD) FROG/RED PRINCE TRIDIRCOMP™ CHASSIS KIT

Turn your ugly Frog into a handsome prince. Another example of where we changed a fun toy car into a competitive racing machine. \$28.95 (UL) \$32.95 (SD)

5. 066FRP FROG/RED PRINCE SPEED CONTROL/RADIO TRAY

A truly neat way to mount your radio receiver or the speed control in the Red Prince/Black Foot. \$3.95

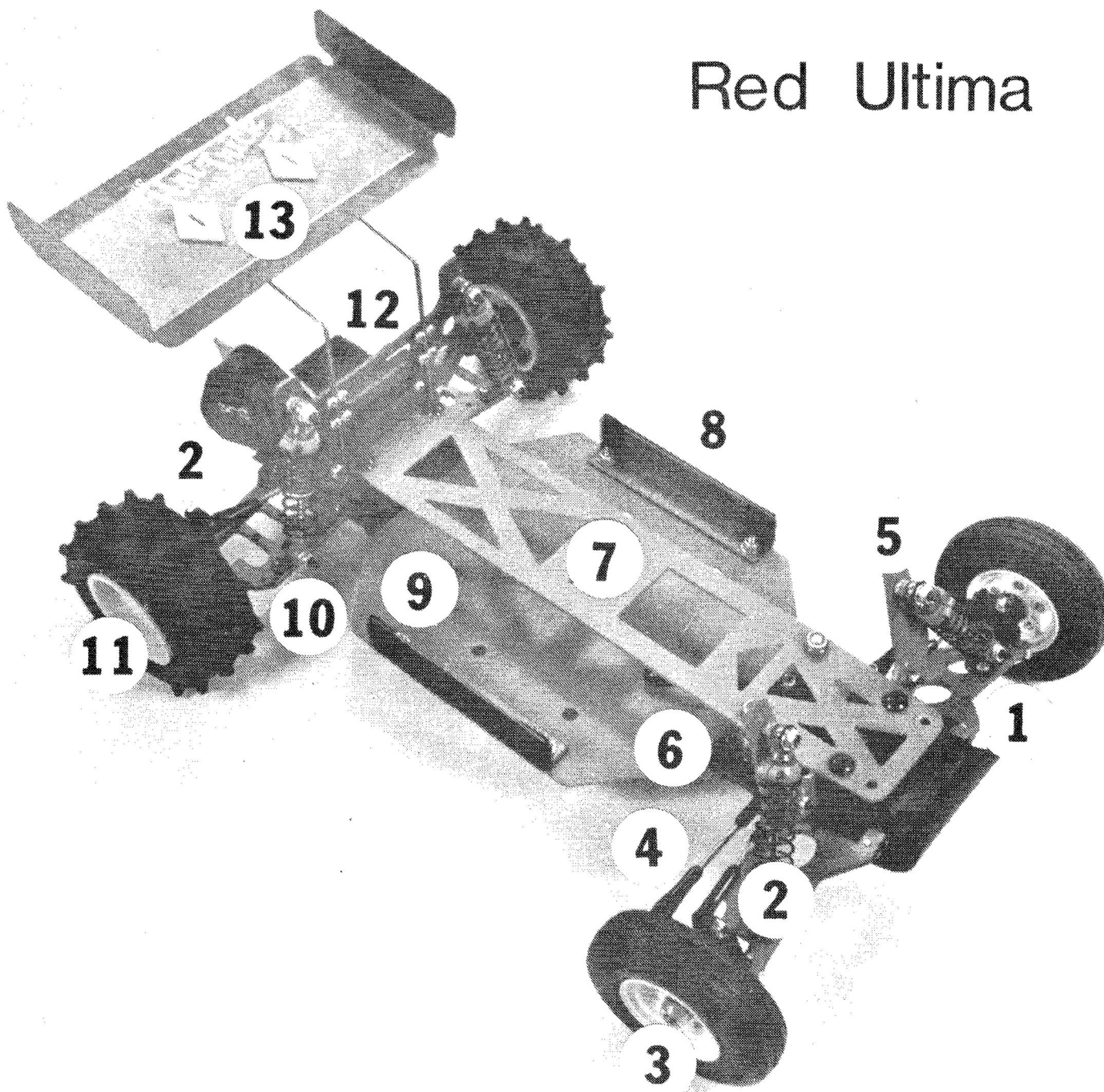
6. 093FRP FROG/RED PRINCE/RC-10 REAR WING MOUNTING BRACKET

At last, a really good way to mount a wing on your Frog. How sweet it is to be able to make those big jumps and come down on your wheels. \$14.95

7. Q16A RC-10 / KYOSHO SHOCK ABSORBER SLIMLINE RETAINERS

Now this product is a must for those who want to go for concourse, plus the racer who is tired of the factory originals slipping up or the plastic threads stripping out. \$13.95

Red Ultima



1. 113RU RED ULTIMA FRONT "A" ARMS

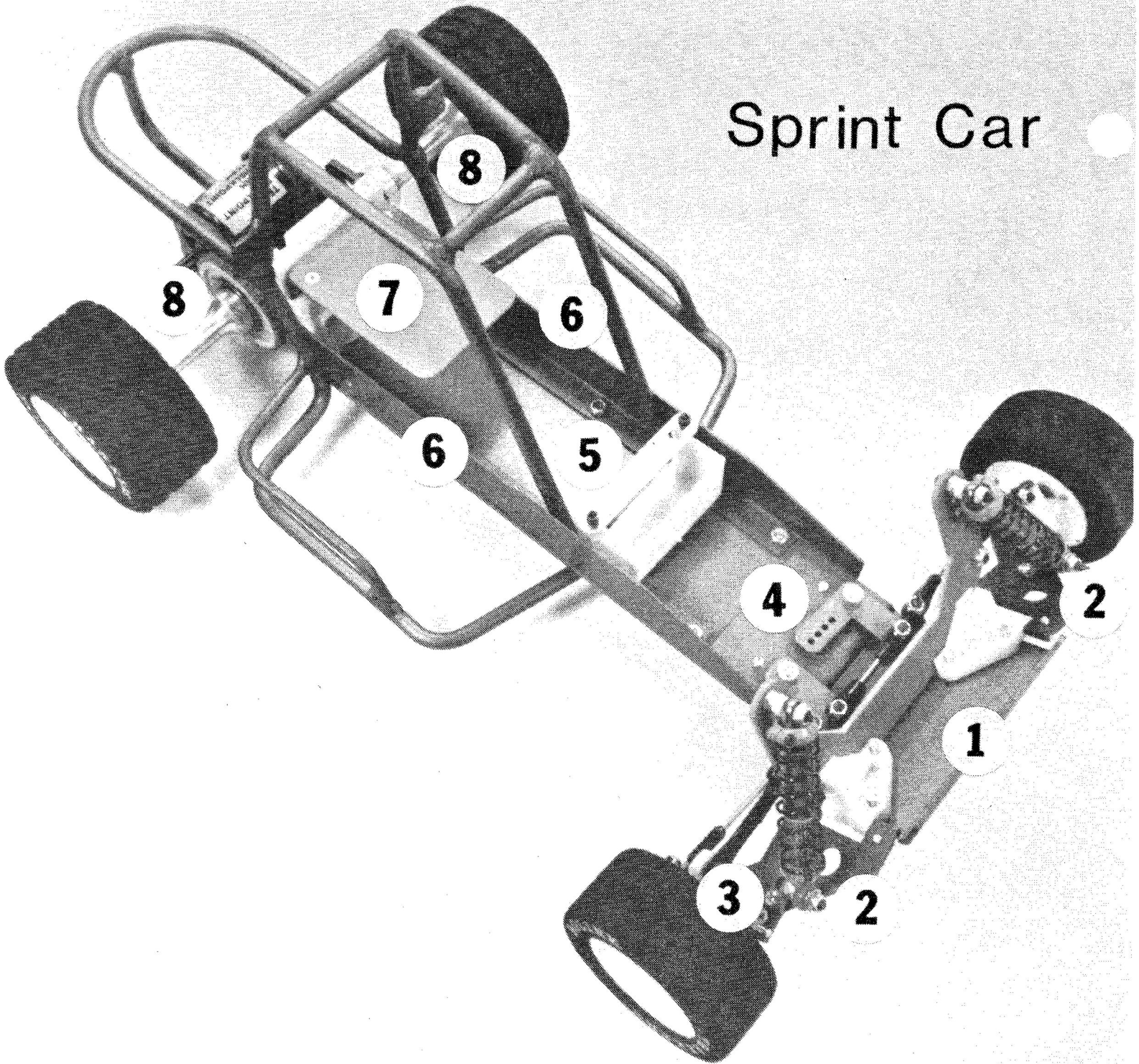
If your stock front arms didn't break during your first race, consider yourself a rare case. Then, just try to find stock replacements! Our arms are made from 70-75 T6 aluminum and are indestructible. A must for serious racing. All mounting hardware is included. \$21.95

2. 025 RC-10 / ULTIMA BEEF UP SUSPENSION KIT

This kit replaces your stock ball cup upper links with more reliable hinge joints. Ours won't pop off no matter how hard you shot you take! \$14.95

3. 107RU ULTIMA FRONT AXLES FOR TAMIYA WHEELS
 These front axles replace the stock units so you can use the larger, stronger Tamiya bearings and wheels. Gives you greater selection of front tires. \$10.95
4. 010 UNIVERSAL STEERING LINKAGE
 Fits all RC-10, Red Fox, Red Hot Shot, Red Prince and Red Ultima. Our steering linkage fits most of our own chassis. It uses hime joints that can't pop off and eliminates sloppy steering. Be sure to use a Kimbrough servo saver directly on your servo! Eliminates bump steering (nuff said). \$22.95
5. 111RU RED ULTIMA FRONT SHOCK TOWER
 Replaces the Ultima's flimsy front shock tower with our stronger TriDirComptm material. It's drilled to accept the stock shocks or longer throw after-market shocks, and allows three different locations for changing front end geometry. \$13.95
6. 112RU RED ULTIMA FRONT END BRACKET
 This bulletproof bracket with caster built-in mounts your Ultima front end to our TriDirComptm chassis. Requires P/N 010 steering linkage. Most important of all it allows you to lengthen the wheel base by ½". This is a must for oval racing. \$12.95
7. 115RU RED ULTIMA FEATHER-WEIGHT UPPER PLATE
 This TriDirComptm plate must be used with our chassis (P/N 109RU) and steering linkage (P/N 010). Gives superb stiffness throughout the chassis, and provides an area to put your speed control, receiver etc. \$13.95
8. 033 UNIVERSAL BODY MOUNTING KIT (VELCRO)
 At last, no more body pins and ugly holes in the bodies. A far superior way to mount most bodies. Concourse, here you come. \$9.95
9. 109RU RED ULTIMA TRIDIRCOMPTM FEATHER-WEIGHT CHASSIS PAN
 Our TriDirComptm chassis allows you to use the popular RC-10 bodies and keeps dirt and mud out of the radio compartment. You must have part numbers 112RU and 010 to use this chassis! It also allows you to move your batteries back and forth. \$23.95
10. 114RU RED ULTIMA REAR "A" ARMS.
 The same reason for producing front "A" arms applies to the rear "A" arms. All mounting hardware is included (unlimited adjustment). \$21.95
11. 106RU ULTIMA REAR STUB AXLES FOR RC-10 WHEELS
 Now you can run RC-10 rear wheels and therefore have a wider selection of tires to choose from for your Ultima. \$9.95
12. 110RU RED ULTIMA REAR SHOCK TOWER AND WING MOUNT
 Now your Ultima has a sorely needed wing mount and a stronger rear shock mount that accepts the stock shocks and the longer throw RC-10, Option House, and Delta shocks. (It also gives you five choices of upper "A" arm locations instead of just one). \$13.95
13. 100 TITANIUM WING
 Made of a Space-Age material. The last wing you'll ever buy. \$29.95

Sprint Car



1. 026A RC-10 WIDE FOOT FRONT END KIT

Completely stop that hateful highspeed understeer, particularly in oval racing. Multiple upper shock mounting positions allow the use of several lengths of shocks. \$19.95

2. 073A RC-10 FRONT LOWER "A" ARMS KIT

Just two more parts to help bullet-proof your RC-10. If you have to wait until you break one, it may cost you a race. \$21.95

3. 025A RC-10 BEEF-UP SUSPENSION KIT

This kit replaces your stock ball cup upper links with more reliable hime joints. Ours won't pop off no matter how hard a shot you take! \$14.95

4. 010 UNIVERSAL STEERING LINKAGE KIT

Whenever you get tired of sloppy steering and ends that keep falling off. Just let us know and we can fix it once and for all. (Fits RC-10, Red Fox, Red Hot Shot, Red Prince, and Red Ultima). \$22.95

5. 090A RC-10 TRIDIRCOMP™ SPRINT CAR PAN

Comes pre-drilled and counter sunk. Bolts right up to RC-10 parts. \$18.95

6. 095A SPRINT CAR SIDE ANGLE KIT

This kit allows you to mount the front and rear body panels on the sprint car pan. It also includes the velcro. (use P/N 090A) \$10.95

7. 092A SPRINT CAR SPEED CONTROL/RECEIVER TRAY KIT

Although this platform was designed for the sprint car, it can also be used in the stock RC-10 as a way to get the receiver away from the metal pan. \$6.95

8. 056A RC-10 ON-ROAD REAR END KIT

Race your off-road RC-10 on road! This conversion kit bolts to our TriDirComp™ chassis as well as the stock one. Adjustable rear tension for chassis tuning. Be ready for extreme speed. \$59.95

ADDITIONAL ITEMS NOT SHOWN

006Y YOKOMO OVAL RACING LOWERING KIT

You already know the Yokomo is the fastest off-road car on the market today. Wouldn't it be just great if it were the best oval car too? \$5.95

009Y YOKOMO REAR END WIDENING SPACERS

Here is a case where something so simple can do so much. The rear tires do not run in the front tracks. They bite in fresh dirt. They also widen the rear end for better stability. \$1.95

011GH GRASSHOPPER/HORNET SHOCK MOUNT

If you will just cut off the original plastic mounts and install this one before the car ever leaves the store, the dealer/customer relationship will be off to a better start. \$9.95

017A RC-10/MIP TRANSMISSION BRACKET (FOR OLD STYLE MIP CASE)

Scratch builders listen up. Here is a product you have been waiting for a long time to hit the market. \$17.95

020A RC-10 TRANSMISSION COVER PLUGS

Another new adaptor for low profile Kyosho/Option House rims and tires. \$17.95

022A RC-10 TRANSMISSION COVER PLUGS

Each time you remove the clear Lexan cover plate, it fits worse than it did when it was first put on. So what is the obvious answer? A removable plug! You no longer have to take the cover piece off and on. \$1.95

062A RC-10 TRIDIRCOMP™ FRONT SHOCK MOUNT

A new design front shock mount for the RC-10. It matches the rear shock mount, P/N 058. TriDirComp™ - naturally! \$5.95

067FRP FROG/RED PRINCE LOWERING KIT

Here is a kit that is designed to work on the new Red Prince. As you know, the Frog is a little too heavy. By changing the suspension system, you can lower the center of gravity. \$5.95

075 RADIO NOISE SUPPRESSOR INSERT

If you have a receiver that is scheduled to become a fishing sinker, try one more thing before you throw it away. You would be surprised just how much radio noise those dog bones make. When all else fails, these inserts will hold the dog bones in place so they won't fall out. \$2.95

099A RC- 10 OVAL SHOCK MOUNTS (2)

Front and rear mounts for oval racing. These mounts have multiple shock mounting locations for lowering your RC-10. Using Hot Trick "A" arms P/N 073A & 074A.

108RU ULTIMA STOCK TRIDIRCOMP™ REPLACEMENT UPPER TRAY

The stock upper tray breaks too easy so we made one out of TriDirComp™. No more breakages! \$14.95

116 5MM STATIC-FREE SHIMS

This new spacer can be used for all 5MM shaft application.

117 STEERING & SUSPENSION SERVICE KIT

\$159.95 P/N 081 RU RED ULTIMA
FEATHERWEIGHT HI-TECH RACING KIT

KIT INCLUDES:

010	106	110	113
025	107	111	114
033	109	112	115

THE HotTrick STUFF

HIGH

\$125.95 P/N 082Y YOKOMO HI-TECH RACING KIT **\$129.95**
(UL) (SD)

KIT INCLUDES:

1EA. 003Y	1EA. 007Y	1EA. 029Y
1EA. 004Y	1EA. 008Y	1EA. 031Y
1EA. 005Y	1EA. 009Y	1EA. 033
1EA. 006Y	1EA. 027Y	1EA. 098Y

\$187.95 P/N 083A RC-10 HI-TECH RACING KIT **\$189.95**
(UL) (SD)

KIT INCLUDES:

2EA. 001A	1EA. 022A	1EA. 034
1EA. 010	1EA. 025A	1EA. 039A
1EA. 012A	1EA. 026A	1EA. 058A
1EA. 014A	1EA. 030A	1EA. 073A
1EA. 016A	1EA. 032A	1EA. 074A

TECH

\$139.95 P/N 084 RF RED FOX HI-TECH RACING KIT **\$143.95**
(UL) (SD)

KIT INCLUDES:

1EA. 010	1EA. 037 RF	1EA. 043 RF/RHS
1EA. 033	1EA. 039A	1EA. 047 RF
1EA. 035 RF	1EA. 040 RF	
1EA. 036 RF	1EA. 042 RF	

RACING

\$135.95 P/N 085 RHS RED HOT SHOT HI-TECH RACING KIT **\$139.95**
(UL) (SD)

KIT INCLUDES:

1EA. 010	1EA. 046 RHS	1EA. 057 RHS
1EA. 033	1EA. 050 RHS	1EA. 059 RHS
1EA. 043 RF/RHS	1EA. 053 RHS	1EA. 068 RHS

KITS

SEE

\$133.95 P/N 086 OPR OPTIMA RAM HI-TECH RACING KIT **\$137.95**
(UL) (SD)

KIT INCLUDES:

1EA. 033	1EA. 051 OPR
1EA. 044 OPR	1EA. 060 OPR
1EA. 045 OPR	1EA. 061 OPR
1EA. 049 OPR	2EA. 070 OPR

YOUR

DEALER!

\$79.95 P/N 087 FRP FROG/RED PRINCE HI-TECH RACING KIT **\$83.95**
(UL) (SD)

KIT INCLUDES:

1EA. 010	1EA. 066 FRP
1EA. 033	1EA. 067 FRP
1EA. 063 FRP	1EA. 093 FRP
1EA. 064 FRP	



**THIS PAGE
RESERVED
FOR NEW
HOT TRICK
PARTS**

NOTICE TO ALL CUSTOMERS

THE LATEST "HOT TRICKS" FROM THE HOT TRICK STUFF!

P/N 116 SHIM ASSORTMENT (5MM)

Eight (8) shims of varying thicknesses to finely shim trans-
missions, stub axles, etc. \$2.95

P/N 117 SERVICE KIT FOR 010 AND 025

After hundreds of requests, a kit that gives you extra hard-
ware for our popular Steering Linkage, and Beef-Up Suspension
Kits. \$4.95

P/N 118BF BLACKFOOT HI-TECH RACING KIT

Turn your Blackfoot into a Big Bear Killer! This is a complete
chassis conversion to make your Blackfoot handle like a dream.
Kit requires 2 RC-10 short front shocks for the rear (yes, rear),
and anything you like up front:

Kit includes:

TriDirComptm Chassis
Front End Bracket For Mounting 2 RC-10
(or equiv) Shocks
Heavy Duty Steering Linkage Kit
Rear Suspension Retainers (increase half-
shaft life)
Adjustable Height Truck Body Mounts

Total Retail \$102.75
Our Price \$ 83.95

P/N 119 RC-10, RED ULTIMA, OPTIMA RAM TRAILING ARMS

Wonder why the Cox Scorpion and Yokomo 4WD cars work so well? Trailing Arms pivot in the direction the car is moving, not sideways like A-Arm style cars. This kit radically improves handling in all respects. Fits any RC-10 and only the Hot Trick version of the Ultima and Optima. \$44.95

P/N 120 ULTIMA MOTOR GUARD

With the high prices of racing motors these days, most of us can't afford to let our motors hang out the rear end of the car just waiting to be creamed. Now, we provide you a means to protect your investment. \$12.95

ATTENTION! New lower retail price on Official High Voltage Soccer Ballstm and Kits.

P/N 079 OFFICIAL HIGH VOLTAGE SOCCER BALLtm
WAS \$17.95 NOW \$9.95

P/N 091 OFFICIAL HIGH VOLTAGE SOCCERtm KIT
WAS \$34.95 NOW \$26.95

P/N 121A - 129D

Hot Trick Racing Cars, Inc. makes parts for 1/12 scale cars, too! These stock replacement parts are made of our revolutionary, space-age material, TriDirComptm. Its properties are very similar to that of graphite, but at a fraction of the cost. We are confident that you will like all of them.

P/N 121A	RC-12L "I" BAR	\$ 4.95
P/N 122A	RC-12L UPPER BRACE	8.95
P/N 123A	RC-12L LOWER BRACE	8.95
P/N 124A	RC-12L CHASSIS PAN	16.95
P/N 125A	RC-12I DAMPER PLATE	8.95
P/N 126A	RC-12I FRONT CROSS BRACKET	4.95
P/N 127A	RC-12I RADIO TRAY	8.95
P/N 128D	DELTA P-12 SPIDER "T" BAR	4.95
P/N 129D	DELTA P-12 SPIDER CHASSIS PAN	15.95

Refer to P/N's 041A and 052D for Associated RC-12I and Delta Phaser chassis pans.

P/N 130Y YOKOMO ADJUSTABLE CASTER BLOCKS

Finally, caster blocks for the popular Yokomo 4WD at an affordable price. No more races lost due to a broken block. \$34.95

P/N 132L DOMINATOR TRIDIRCOMPtm UPPER PLATE

Our upper plate for this well known 4WD oval racer allows you to mount the motor in two different positions for better handling. Of course, our TriDirComptm material greatly increases overall strength. \$ 18.95

P/N 133L DOMINATOR TRIDIRCOMPtm CHASSIS

The stock pan is too narrow up front and breaks too easily if hit hard. Using our TriDirComptm material, we widened and redesigned the chassis for superior battery location, and it is much stronger than before. \$ 37.95

P/N 134L DOMINATOR TRIDIRCOMPtm REAR BODY MOUNT

A TriDirComptm replacement for the fragile, stock body mount (ours does not break) \$ 5.95

P/N 135L DOMINATOR TRIDIRCOMPtm NERF TAB

The nerf tab protects your right rear wheel from the wall during high speed oval racing. \$ 2.95

P/N 136A "HEAD ON" PROTECTOR

This part mounts to our P/N 026A Wide Foot or the Assoc. front end. It gives you extra protection from those crazy racers coming straight at you! \$ 4.95

P/N 137 "BIGFOOT" AIRTRONICS TRANSMITTER BASE PLATE

With all the advances in today's radios, none of them seem to be very stable when left alone in the pits. Don't worry, we took care of that problem. It also fits most other transmitters Your welcome. \$ 4.95

P/N 138A WIDE FOOT SPRINT CAR FRONT END

All you sprint car racers asked for it, so Hot Trick delivers: A wide foot front end for your sprint car with increased caster built in for better cornering ability. We knew you'd be pleased. \$ 19.95

Attention scratch builders!! Now our revolutionary TriDirComptm material is available in panels!! Design your own chassis, shock mounts, radio trays, etc. Be advised- TriDirComptm is tough stuff to cut!

P/N 139 6x15 TRIDIRCOMPtm PANEL (.060 THICK) \$ 22.95

P/N 140 6x15 TRIDIRCOMPtm PANEL (.093 THICK) \$ 24.95

P/N 141 6x12 TRIDIRCOMPtm PANEL (.125 THICK) \$ 19.95

P/N 142 SPRINT CAR ROLL CAGE \$49.95

NEW HOT TRICK PARTS FOR 1/4 SCALE

P/N 401R RACO FRONT CROSS TUBE

Would you like to stop bending the front cross bar? How about heat treated 4130 Chrome-Moly steel tubing? Approximately 1/3 of the weight and 3 times the strength! \$13.95

P/N 402R RACO TRIDIRCOMPtm S.S. BRAKE KIT

As a rule, you very seldom use the brakes on your race car. But once in a while some one will spin out right in front of you, or you get bumped and here comes the wall. In less than one second the difference between just factory brakes and a super brake can be the price of a new car. \$14.95

P/N 403R RACO FRONT BUMPER

Protect the front end and those front tires from other cars and the walls. You really need them both to finish the race. \$14.95

P/N 404R RACO NERF BAR EXTENDERS

The factory nerf bar does a great job of protecting the rear tires from other cars, but not that outside wall that comes in and bites you once in a while. \$ 5.95

P/N 405R 1/4 SCALE TIRE TRUING BLOCK

The word "stagger" means: how much smaller the inside tire is than the outside one. To accomplish this you just start the motor and hold the sanding pad against the inside tire. You don't even have to remove the wheel from the CAR. \$ TBA

P/N 406R RACO SHOCK/WING BRACE KIT

Here is an item that can be used in two different locations on your car. First, it can be used to stiffen up those front plastic shock towers. Second, they can be used to keep the rear wing mount from rotating forward when you bump something and causing the velcro to let loose to easily. Wings just don't seem to work as well after they have been run over by some other car. \$12.95

P/N 407R RACO ADJUSTABLE WING MOUNT KIT

Did you ever notice that when you get your wing at just the right angle, you don't have 100% contact with the velcro? P.S. A little extra bonus: The higher the wing the cleaner the air. \$ TBA

P/N 408 1/4 SCALE SPOILER

Want to increase the handling of both the Modified and the Grand-Am car? Just add a spoiler and watch the difference. \$ 8.95

P/N 409R RACO ALUMINUM BOLTS/DIET PILLS

Take 1/10s off your lap time by putting your car on a diet of light aluminum screws instead of heavy steel screws. Feed it some aluminum "diet pills". \$13.95

P/N 410R RACO SHOCK BUSHINGS

Get rid of those radio noise-makers that weigh a ton and replace them with lightweight rubber shock bushings. Just like all real cars use. \$ 9.95

P/N 411R RACO FRONT TIRE TRUING ADAPTOR

You know how hard 1/4 scale is on right front tires. At last, the easy answer. Just attach your cone shaped front tire to the rear hub, start the motor and true the tire right at the track! \$ TBA

P/N 412R RACO GRAND-AM VELCRO BODY MOUNTING KIT

No more ugly holes that "tear out" on the side of your Grand-Am car. Enough area to really hold those bodies on during the bumping that is bound to happen during racing conditions. \$ TBA

P/N 414R RACO BRAKE EXTENDER

Here is some 1/8 scale technology that we applied to 1/4 scale. A lot more leverage and a completely adjustable brake. Just what the doctor ordered. \$ TBA

P/N 415 1/4 SCALE WORKBENCH/CART

Here is an item that has been needed for a long time. A very compact, portable work bench with a storage shelf under it. There is never enough work bench area at a race. Now for the best part.. It becomes a two wheeled cart to carry your car from place to place. Ex: The parking lot to the track then to tech inspection, and then to the starting line, and from your car back to the work shop at home. NOTE: If you are a 500 lb. gorilla, you can do without this part. Us average humans think this part is just great. \$. TBA

P/N 416 1/4 SCALE CARB COOLING FINS

Ever notice that the Hot Trick cars don't slow down or vapor-lock when the temperature gets up around the 100% mark? There must be some good reason why not! \$ 8.95

P/N 417R RACO BALL DIFFERENTIAL

You may have to wait on this one, but we are very sure that when the road testing is done you will be glad you did.

\$ TBA

P/N 418R RACO REAR ALUMINUM SWING ARMS

When it comes to bullet-proofing a car we think Jon did an excellent job. But there seems to be a weak link in the chain, and that is the rear swing arms. About the time we solved breaking the right rear wheel on the wall by using our P/N 404P Nerf Bar Extenders, a car came by and broke off the left one. The obvious answer to this problem is metal arms. \$ TBA

P/N 420R RACO REAR INNER WHEEL CONES

The very first time we raced our car in the dirt and mud, we remembered the fact that a spinning drum or cylinder will retain dirt or mud but a funnel will throw it right out.

(REAR WHEELS).

\$11.95

P/N 421R RACO GRAND-AM FRONT END CONVERSION KIT

A trailing arm suspension system is without equal when it comes to off-road racing. But our engineers tell us that you may want to convert your Super Modified cars front end to the Grand-Am front end system. This is made possible by just installing our bracket and a Grand-Am front end to your Super Modified car. \$ TBA

P/N 422R RACO TEFLON SHOCK ABSORBER KIT

How about a teflon shock piston that is as smooth as silk and uses transmission fluid instead of oil? Just think, no more viscosity change with temperature change. No more foaming with movement. No more dirt sticking to the piston shaft and wearing out the seals. Such a deal. \$19.95

P/N 423R RACO GRAND NATIONAL FRONT BRACE

With just a little bit of stiffening, you can really improve the handling of the Grand National car. This part closes in the front of the open box. \$12.95

P/N 424R RACO GRAND NATIONAL COOL SCOOP

Here is an item that takes every bit of air that is available on the inside of the body and directs it right into the motor for cooling. \$ TBA

P/N 425R RACO BRAKE CAM BRACKET

Have you ever noticed even when the brake cam is in the off position, there is still some drag on the brakes? This is because the cam does not stay in the upright position. This bracket keeps the cam in the right position, so the brakes can turn more freely. \$ 3.95

P/N 426R RACO FOAM WHEEL PLUGS

Although these plugs were first designed to be used for keeping the mud out of the wheels during dirt racing, we found out they also improve the aerodynamics of all wheels, for on or off-road racing. \$ TBA

P/N 427R RACO GRAND NATIONAL REAR BODY MOUNT

The last thing you need when you go around a corner is any kind of weight hanging out behind the rear tires. It helps the rear tires to become the ones in front. This part moves that weight forward. \$ TBA

P/N 428R RACO REAR CROSS TUBE (CHROME-MOLY)

Much lighter and much stronger. What more can I say. \$ TBA

P/N 429R RACO RIDE HEIGHT KIT

NOTE: To be used with P/N 422R. This space age material will not be affected by transmission fluid or any weight oil. Therefore it is perfect to be used inside the shocks. The more you race the more you will realize that your car will perform much better on different tracks by changing the height of the car above the track. Its very easy to change the ride height. You just open the shock, pop off the piston and put in what ever length piece of tubing you want to stop the travel of the shock. Thereby lowering the car.

\$ 3.95

P/N 430R RACO SHOCK ABSORBER A. S. CLIPS

The A.S. stands for "AH SHUCKS". Due to the nature of design of the "E" clip, every 3rd or 4th time you remove or replace an "E" clip, it goes "DINK" and flies some place. Rarely is that some place where you can see it. You than say in a low voice "AH SHUCKS" and use a new one out of the package.

\$ 1.95

P/N 431R - 432R - 433R RACO DIET REPLACEMENT PACKS

Due to the lack of aluminum screws at most hardware stores throughout this country, we thought it would be a good idea to come up with some spare screws. Just in case you lose or break one.

\$ 2.95

HOT TRICK RACING CARS, INC.
The American Answer to Off-Road Racing
1157 Cushman Ave., San Diego, CA 92110 (619) 295-2111

HobbyHeights.com